

ME 1403 Engineering Practice & Graphics  
Spring 2018

# Lecture 9

Chapter-7

Instructor:

Syed Hasib Akhter Faruqui

[Email: shafnehal@gmail.com](mailto:shafnehal@gmail.com)

# Announcement!

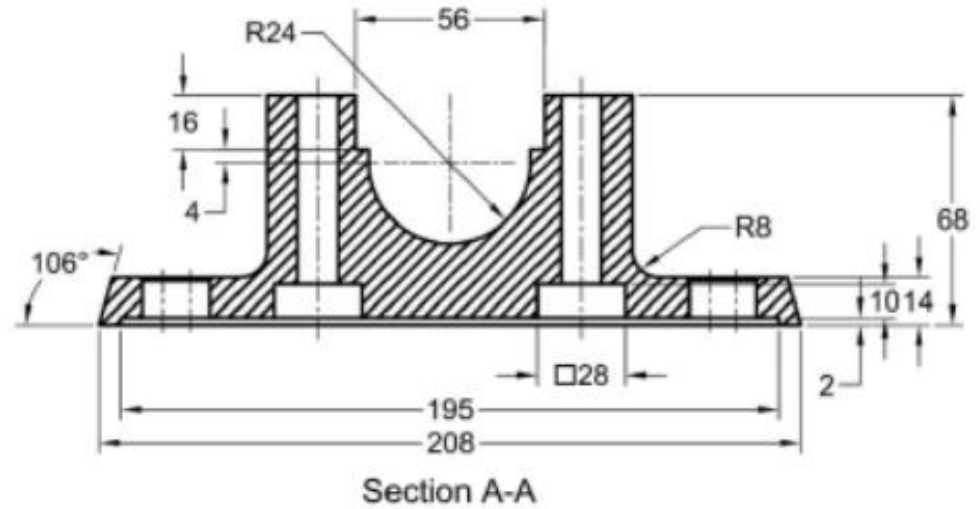
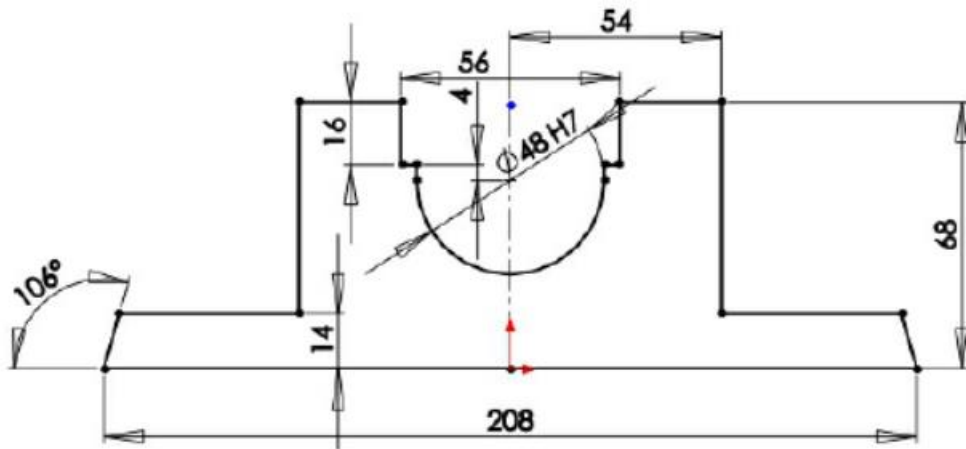
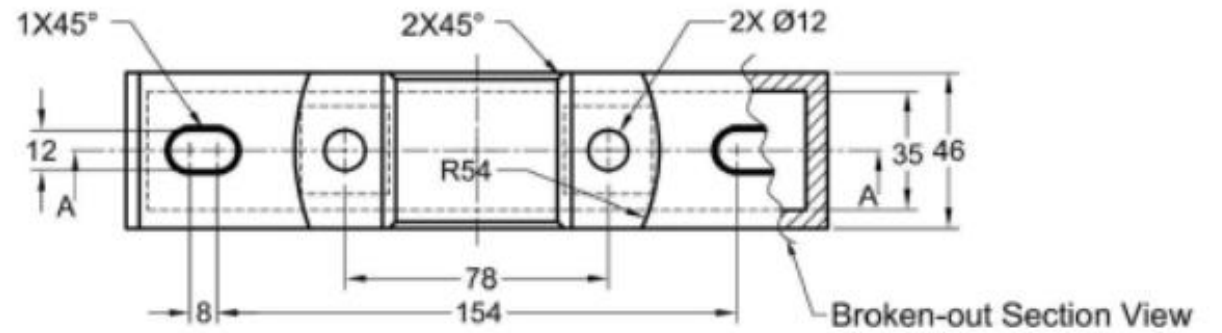
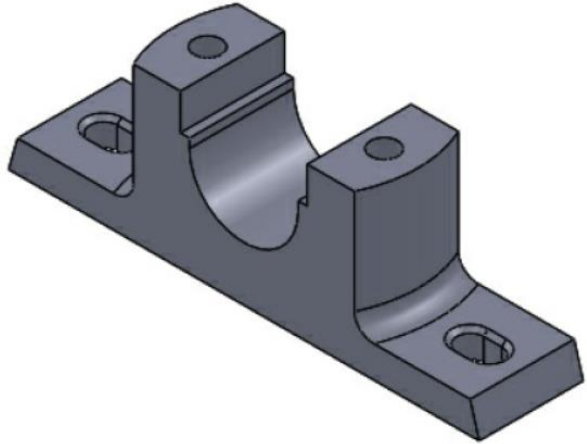
## Quiz 2 (Next Class)

- Topics:
  - Chapter 5
    - Extrude
    - Revolve
  - Chapter 6
    - Reference Geometry
    - Extrude Cut
    - Revolve Cut
    - Fillet / Chamfer
- Time
  - 20 minutes

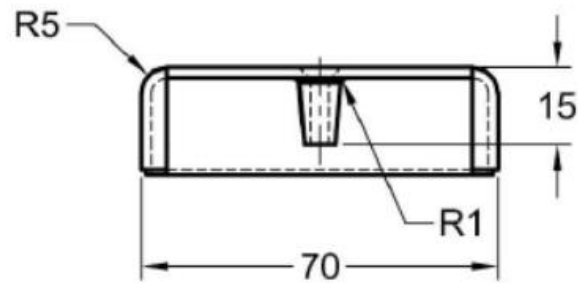
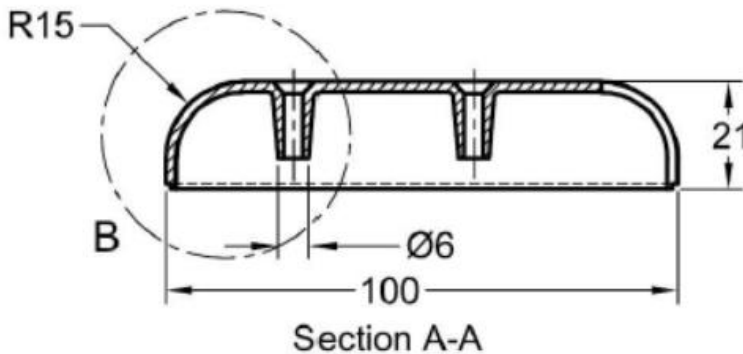
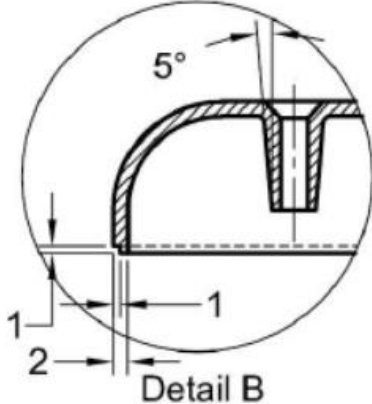
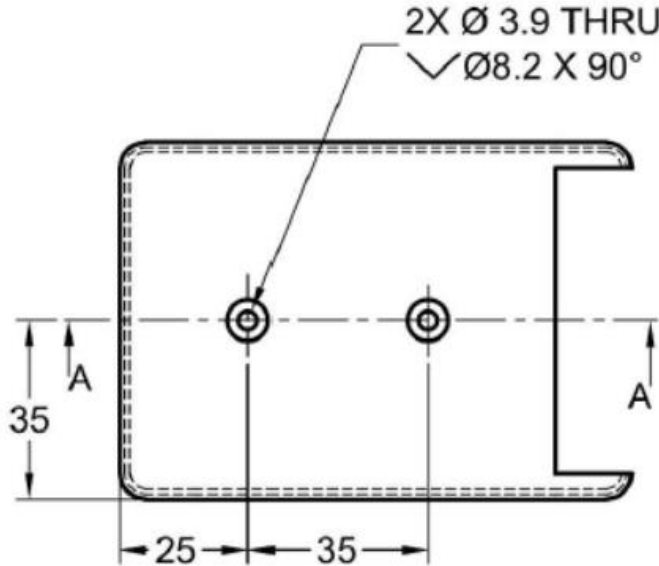
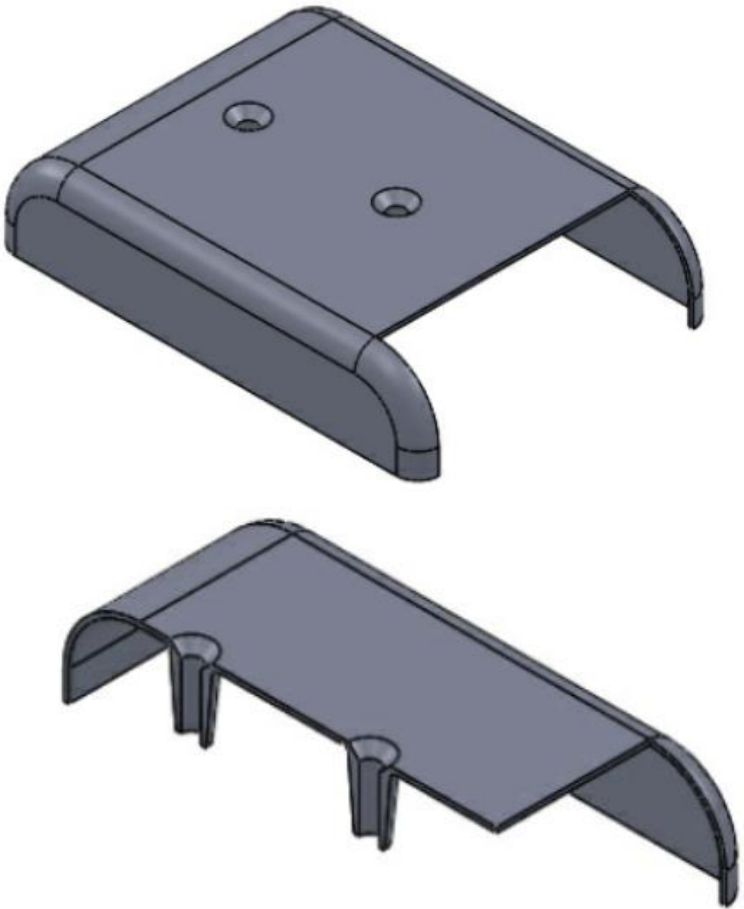
# Outline

- Tools / Methods
  - Wrap
  - Mirror
  - Pattern: Linear Pattern / Circular Pattern / Curve Driven Pattern
- Practice
  - Tutorial 1 (Will be Graded)
  - Tutorial 2 (Will be Graded)

# Tutorial 1 (Will be Graded)



# Tutorial 2 (Will be Graded)



File Name: Your Section\_Your ID\_Tut2

# Submission Rules

- Homework's are due **at the Monday 11.59 P.M.** of the following week (*More Discussion on next class*).
- Quiz's will be taken (*More Discussion on later classes*).
- Submit everything via **Blackboard**.
- Copying your assignments are **prohibited**. If you do so, you and the individual you copied from will receive a **grade zero**, plus both of you will be referred for actions as described in the university's policy for academic dishonesty. ([Read Section 203 of the Student Code of Conduct 2013-2013 UTSA Information Bulletin.](#))