

ME 1403 Engineering Practice & Graphics
Spring 2018

Lecture 1 (B)

Instructor:

Syed Hasib Akhter Faruqui

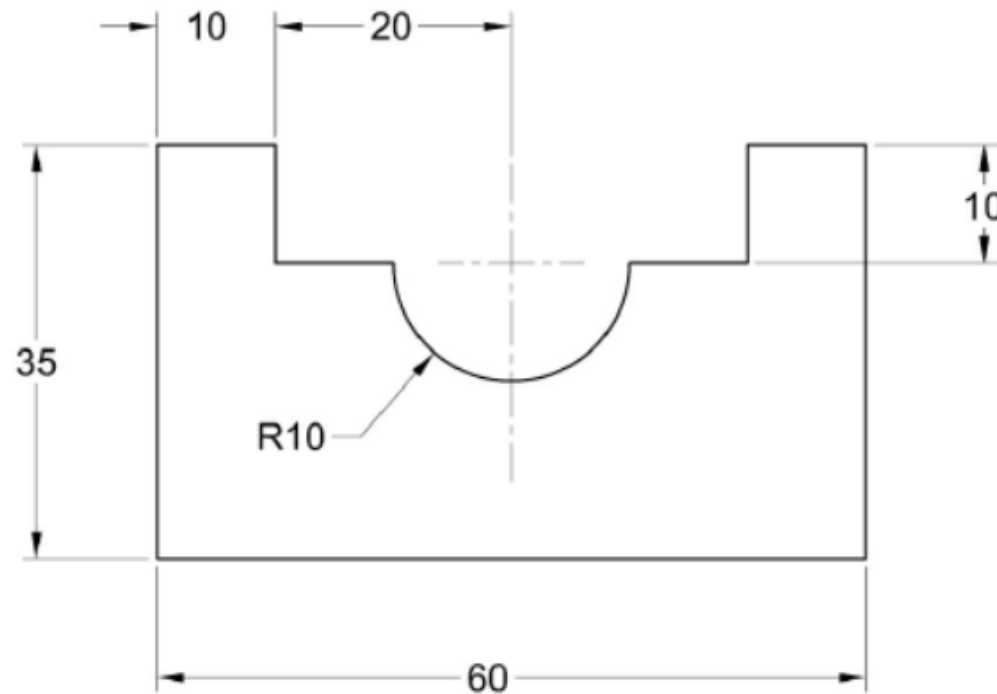
[Email: shafnehal@gmail.com](mailto:shafnehal@gmail.com)

Outline

- Tools / Methods (Check the video posted in BB for further Help)
 - Line
 - Construction Line/ Centerline
 - Circle
 - Dimensioning
 - View Tools
 - Fix position
- Practice (**Will be Graded**)
 - Tutorial-2
 - Tutorial-3
 - Tutorial-4
- Homework (**Will be Graded**)
 - Exercise-3

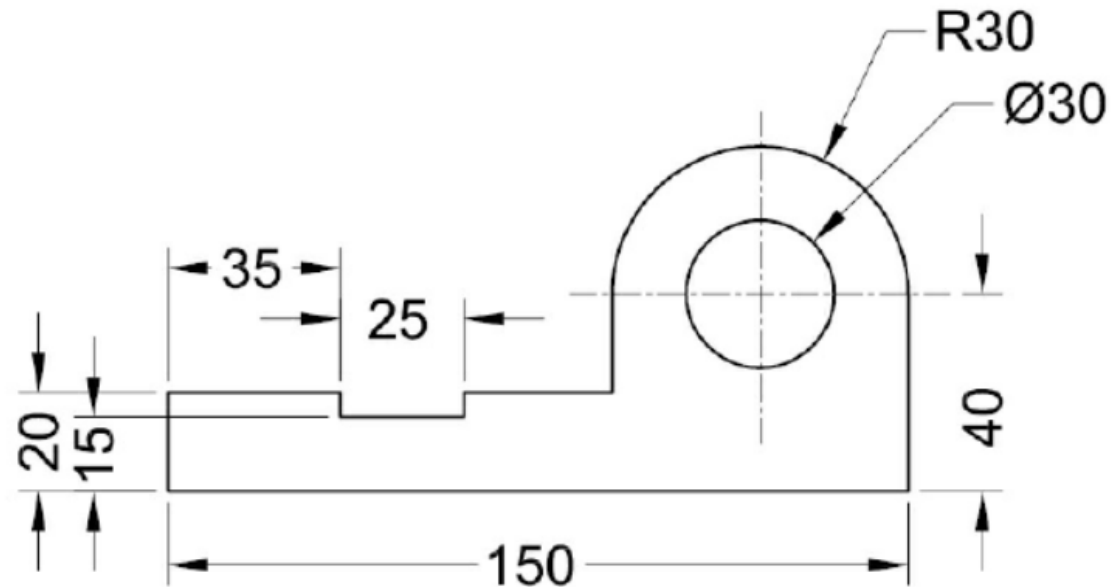
Tutorial 2 (Will be Graded)

- In this tutorial, you will draw the sketch of the solid model shown in Figure. The sketch of the model is shown in Figure.



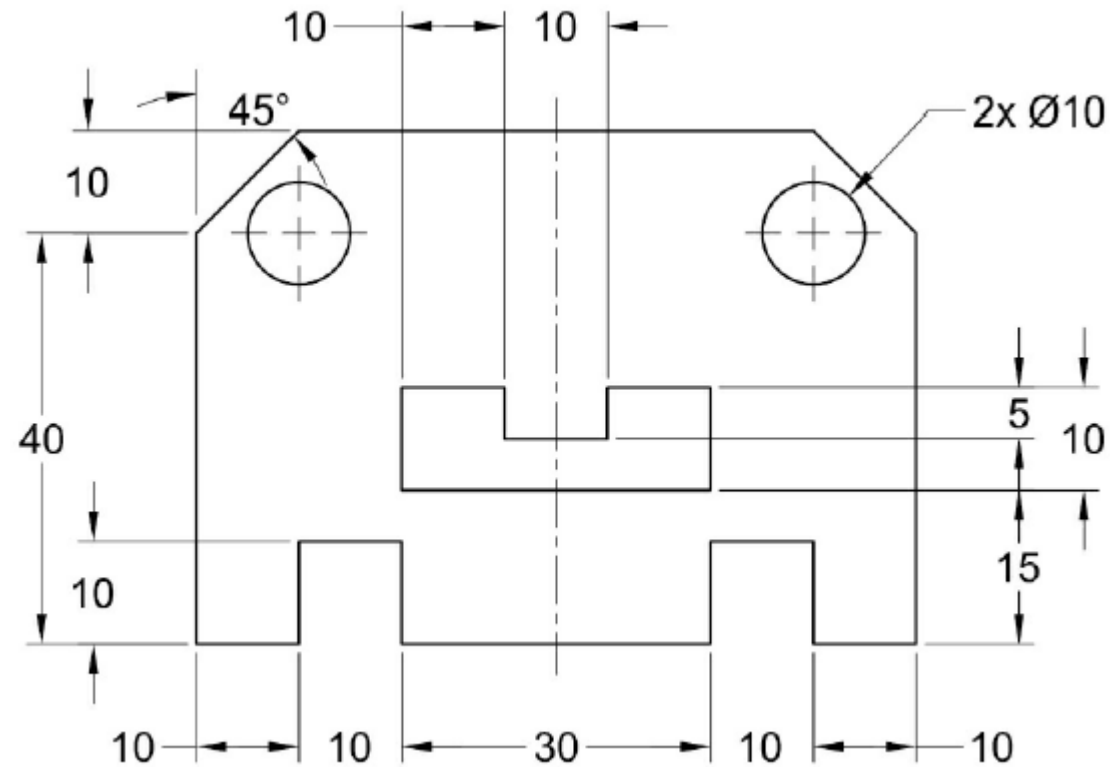
Tutorial 3 (Will be Graded)

- In this tutorial, you will draw the sketch of the solid model shown in Figure. The sketch of the model is shown in Figure.



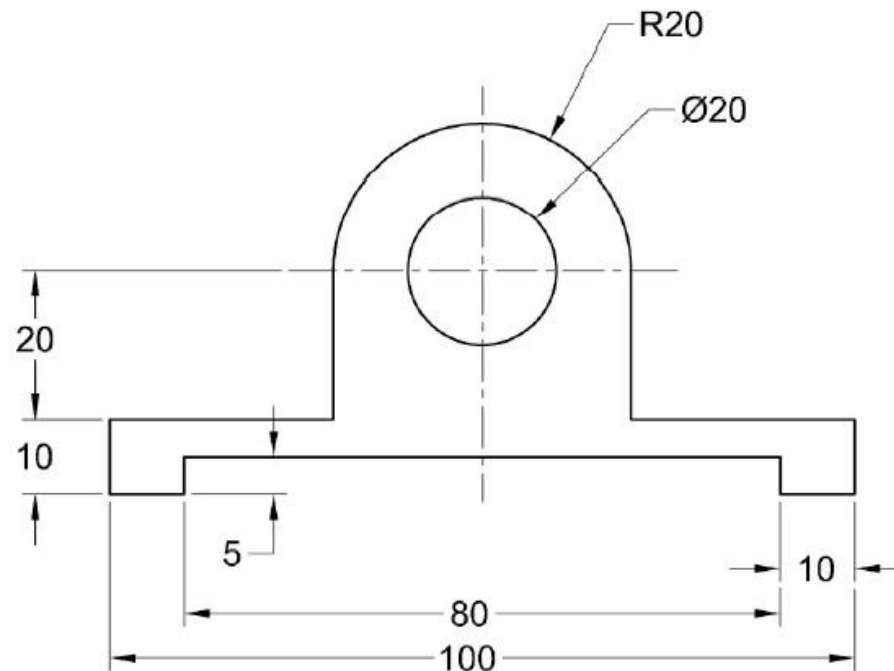
Tutorial 4 (Will be Graded)

- In this tutorial, you will draw the sketch of the solid model shown in Figure. The sketch of the model is shown in Figure.



Exercise 3 (Will be Graded)

- Draw the sketch of the model shown in Figure. The sketch to be drawn is shown in Figure. Do not dimension the sketch. The solid model and its dimensions are given for your reference only



Submission Rules

- Homework's are due **at the Monday 11.59 P.M.** of the following week (*More Discussion on next class*).
- Quiz's will be taken (*More Discussion on later classes*).
- Submit everything via **Blackboard**.
- Copying your assignments are **prohibited**. If you do so, you and the individual you copied from will receive a **grade zero**, plus both of you will be referred for actions as described in the university's policy for academic dishonesty. ([Read Section 203 of the Student Code of Conduct 2013-2013 UTSA Information Bulletin.](#))

Submission Rules

- Any submission after deadline **will not be accepted** and thus will receive a **grade of zero**.
- Grading Criteria for Late Submission:
 - Submission on Time : 100%
 - Submission a week late : 75%
 - Submission two week late : 0%

Submission Rules

- Naming Convention for your submission files:
 - *(section)_(your myUTSA id)_(Number/Name of the HomeWork)*
- For Example if your in section, “**L1**”, your myUTSA id is, “**abc123**” and You are submitting, “**HW1**”. Then your submission file name should be, “**L1_abc123_HW1**”

Emailing Regarding Problems

- Email either
 - through **Blackboard**
 - or at shafnehal@gmail.com
- Email between: *8:00 A.M. to 5:00 P.M.*
- Subject line should follow the below mentioned convention:
 - *[ME 1403: Engineering Practice & Graphics Spring - 2018]_(Your myUTSA ID)_(Summary of your Issue)*
- For Example if your myUTSA id is “**abc123**” and You are emailing regarding problem in “**HW1**”. Then your email subject line should be:
 - *“[ME 1403: Engineering Practice & Graphics Spring - 2018]_abc123_HW1 problem”*
- Any email that doesn't follow the above convention will not be responded.