

ME 1403 Engineering Practice & Graphics
Spring 2018

Lecture 16

Chapter-13

Instructor:

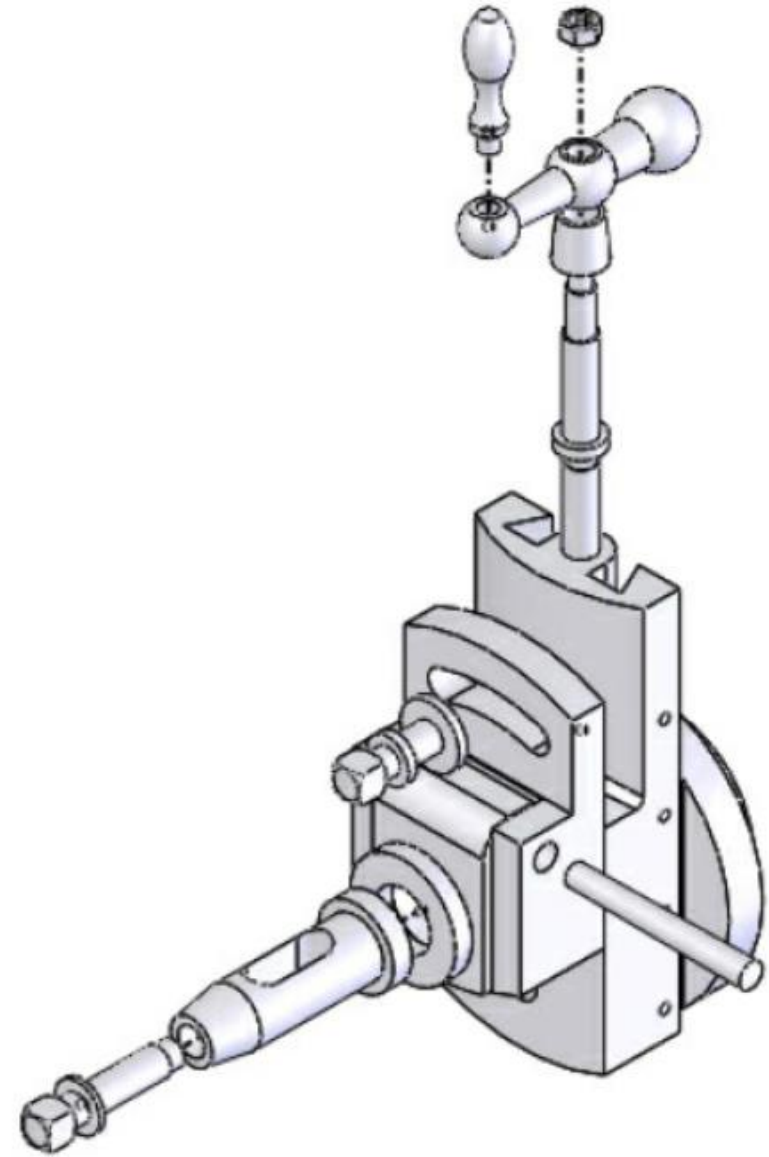
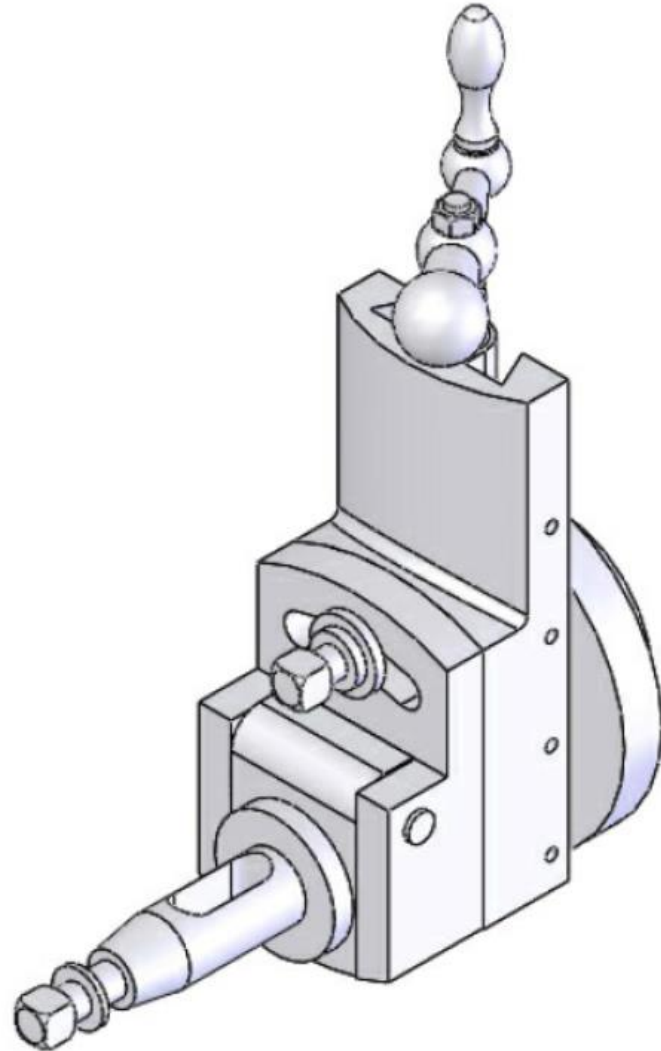
Syed Hasib Akhter Faruqui

[Email: shafnehal@gmail.com](mailto:shafnehal@gmail.com)

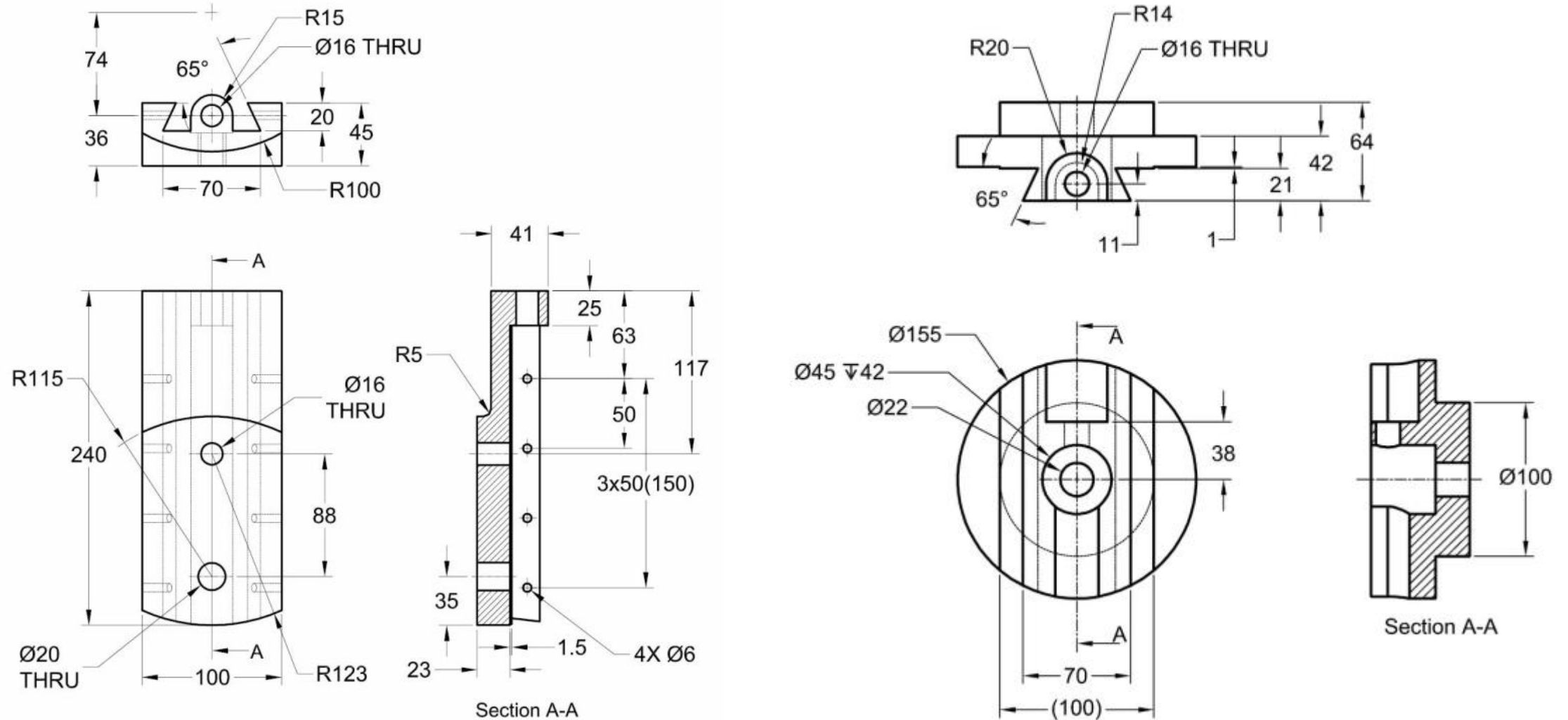
Outline

- Home Work (Will be Graded)
 - Exercise 1

Exercise 1 (Will be Graded)

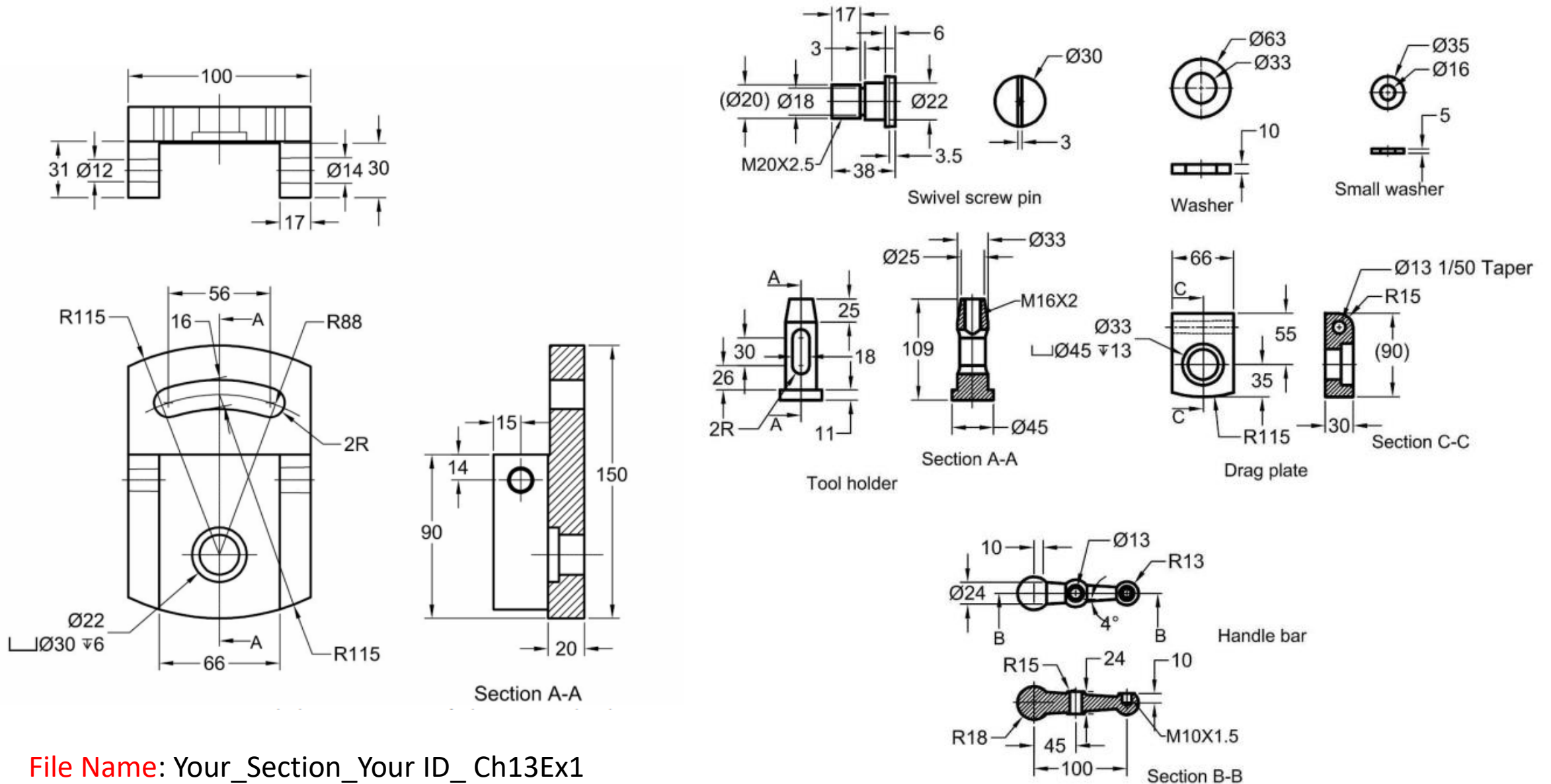


Exercise 1 (Will be Graded)



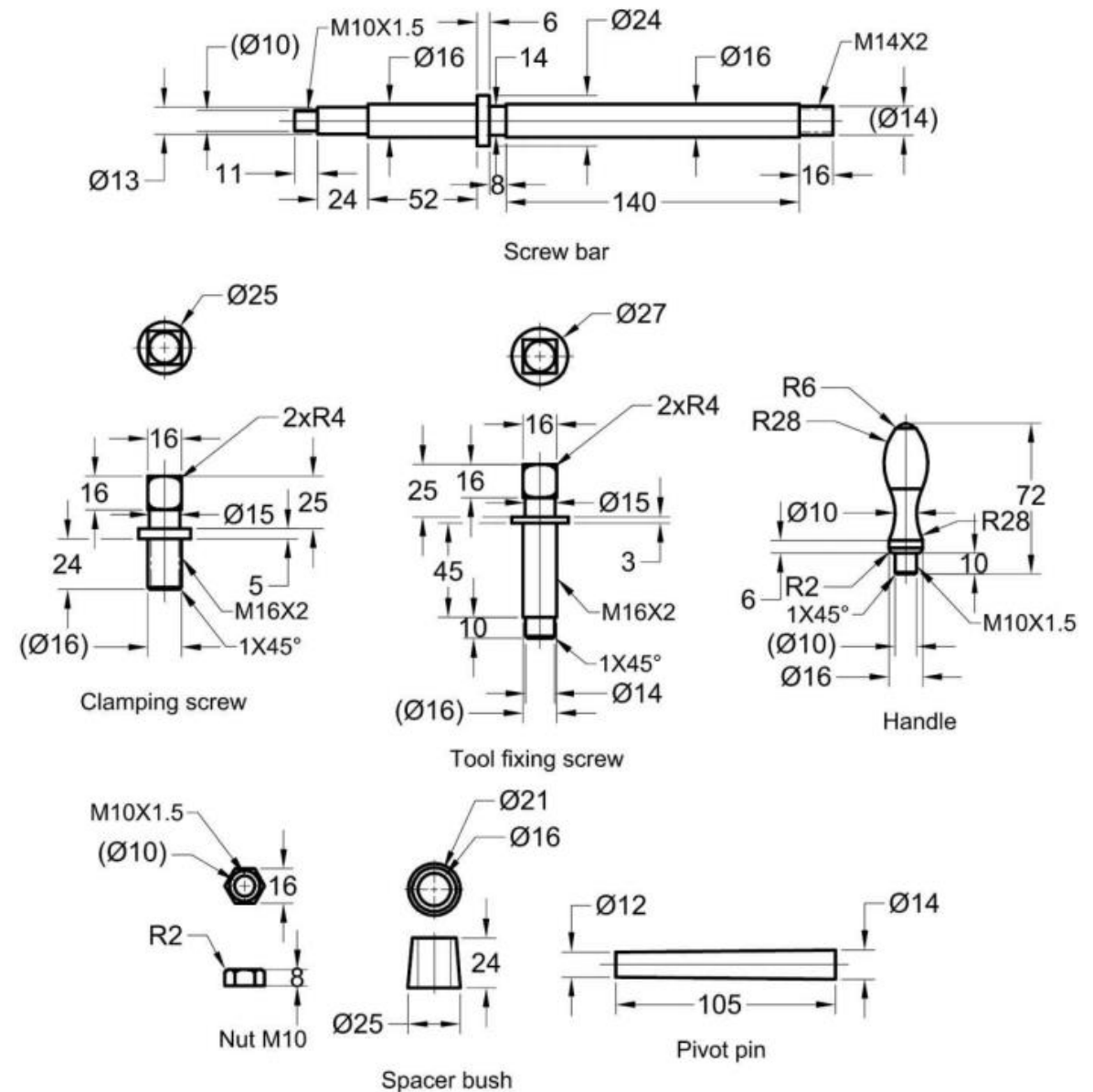
File Name: Your_Section_Your ID_ Ch13Ex1

Exercise 1 (Will be Graded)



File Name: Your_Section_Your ID_ Ch13Ex1

Exercise 1 (Will be Graded)



Submission Rules

- Homework's are due **at the Monday 11.59 P.M.** of the following week (*More Discussion on next class*).
- Submit everything via **Blackboard**.
- Copying your assignments are **prohibited**. If you do so, you and the individual you copied from will receive a **grade zero**, plus both of you will be referred for actions as described in the university's policy for academic dishonesty. ([Read Section 203 of the Student Code of Conduct 2013-2013 UTSA Information Bulletin.](#))