

ME 1403 Engineering Practice & Graphics
Spring 2018

Lecture 13

Chapter-12

Instructor:

Syed Hasib Akhter Faruqui

[Email: shafnehal@gmail.com](mailto:shafnehal@gmail.com)

Announcement!

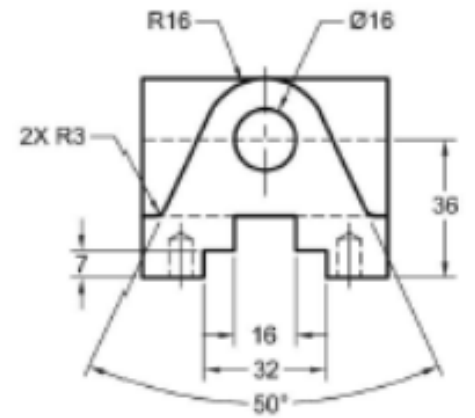
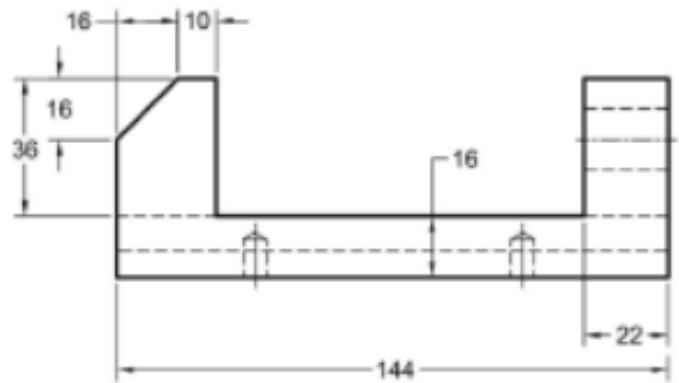
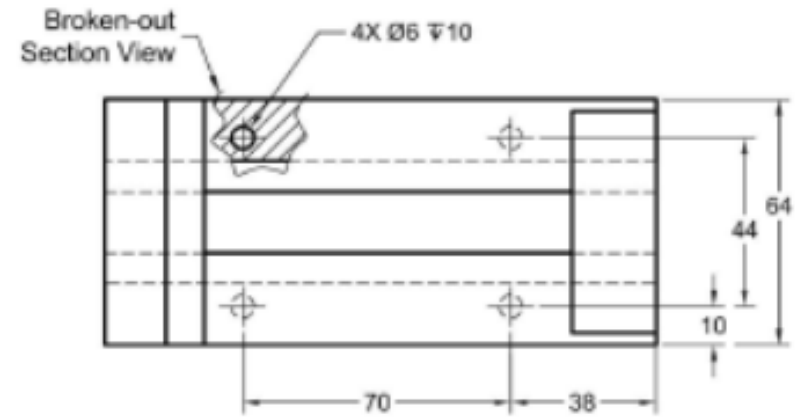
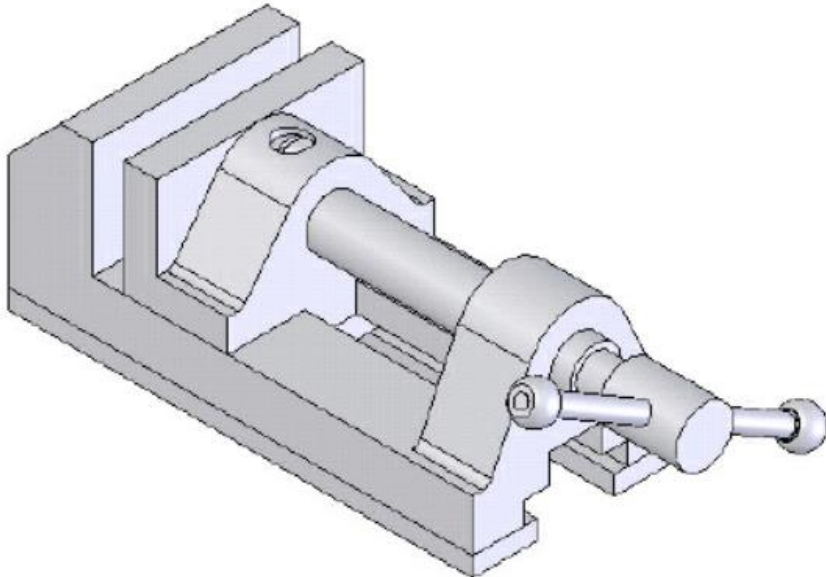
Midterm (21st March, 2018)

- Chapter 5,
- Chapter 6,
- Chapter 7,
- Chapter 8,
- Chapter 9,
- Chapter 10.

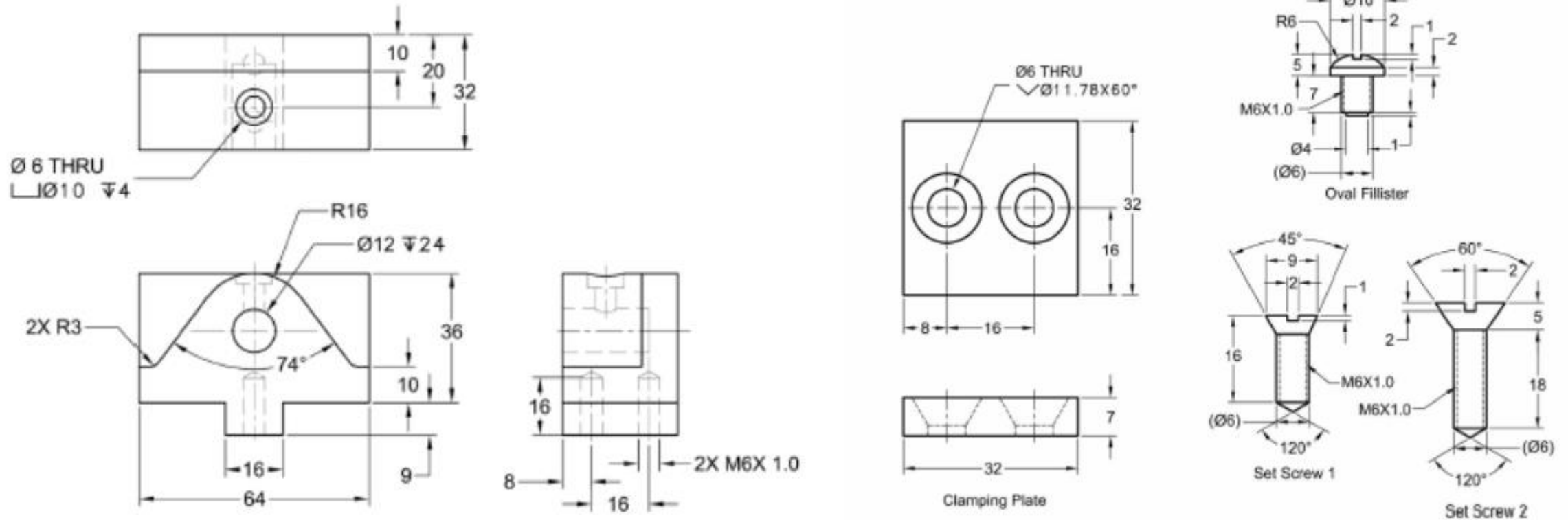
Outline

- Concept
 - Assembly Modeling
 - Bottom-up Assembly
 - Top-down Assembly
- Tools / Methods (Check the zip file uploaded on Website/Blackboard)
 - Importing Part
 - Creating Assemblies
 - Mates
 - Exploded View
 - Assembly Editing (Feature Editing)
- Practice
 - Tutorial 1

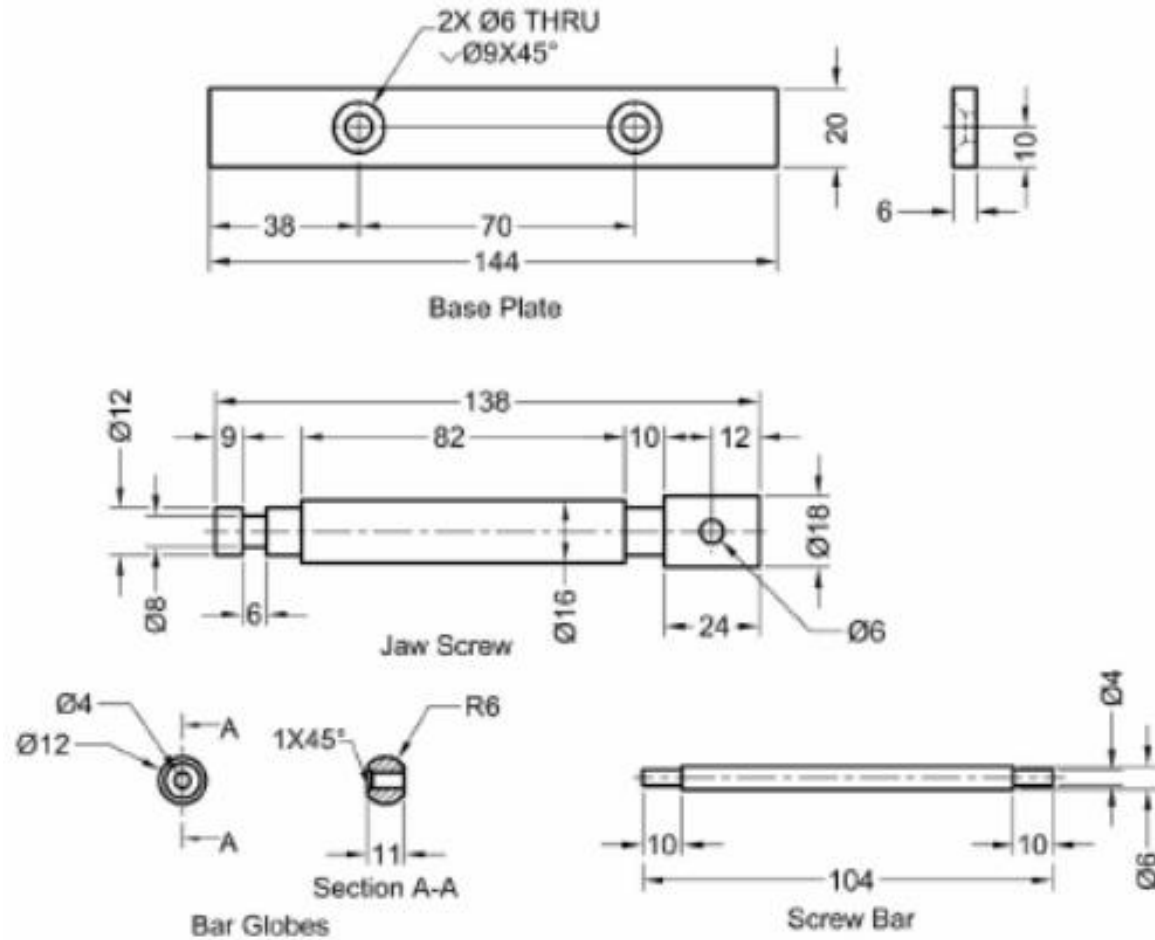
Tutorial 1 (Will be Graded)



Tutorial 1 (Will be Graded)



Tutorial 1 (Will be Graded)



Submission Rules

- Homework's are due **at the Monday 11.59 P.M.** of the following week (*More Discussion on next class*).
- Quiz's will be taken (*More Discussion on later classes*).
- Submit everything via **Blackboard**.
- Copying your assignments are **prohibited**. If you do so, you and the individual you copied from will receive a **grade zero**, plus both of you will be referred for actions as described in the university's policy for academic dishonesty. ([Read Section 203 of the Student Code of Conduct 2013-2013 UTSA Information Bulletin.](#))