

ME 1403 Engineering Practice & Graphics
Spring 2018

Lecture 12

Chapter-9

Instructor:

Syed Hasib Akhter Faruqui

[Email: shafnehal@gmail.com](mailto:shafnehal@gmail.com)

Announcement!

Quiz 3 (7th March, 2018)

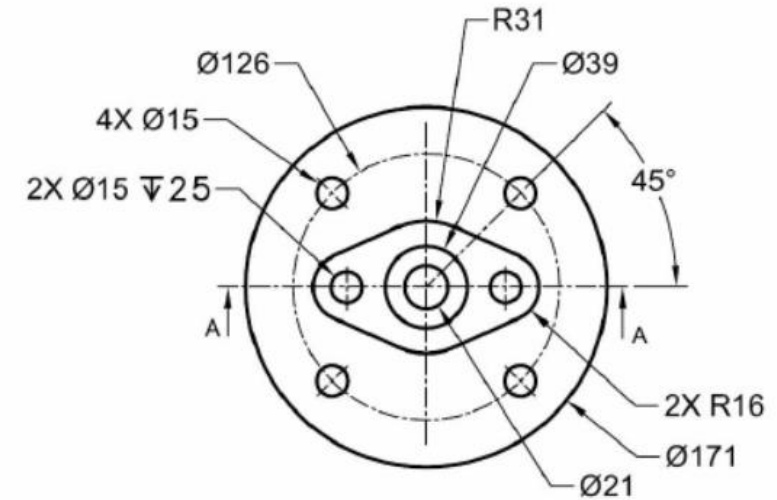
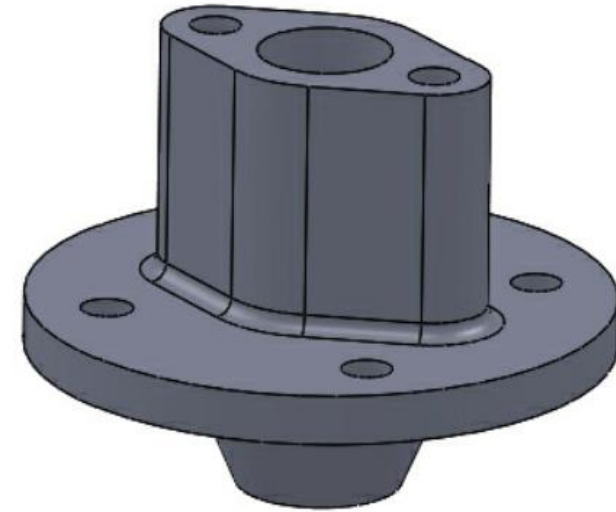
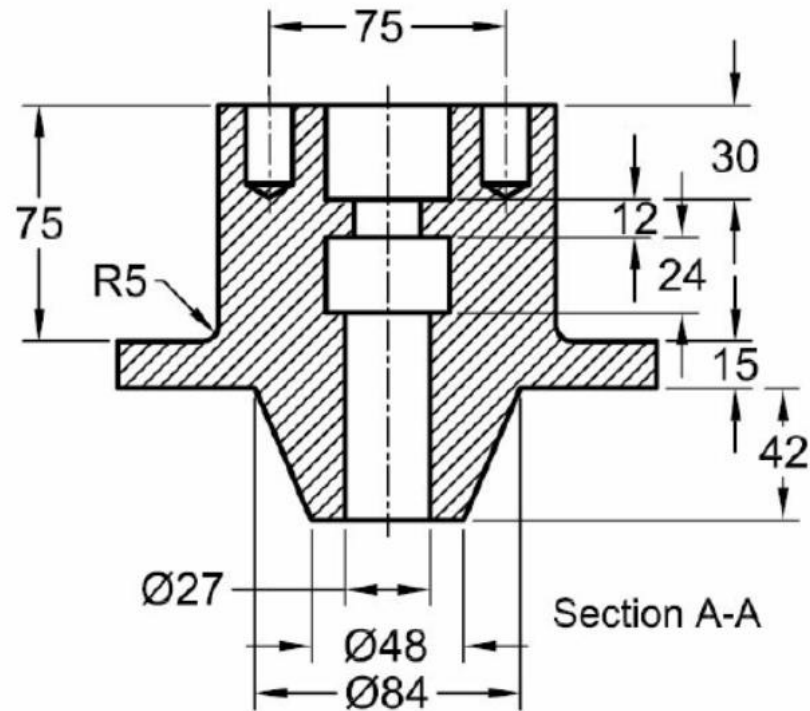
- Topics:
 - Wrap
 - Mirror
 - Pattern
 - Rib
 - Vary Sketch
- Time
 - 20 minutes

Outline

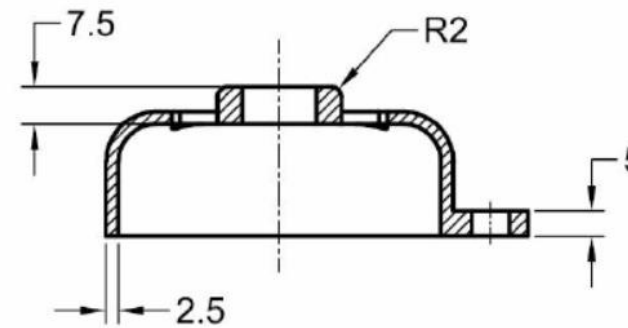
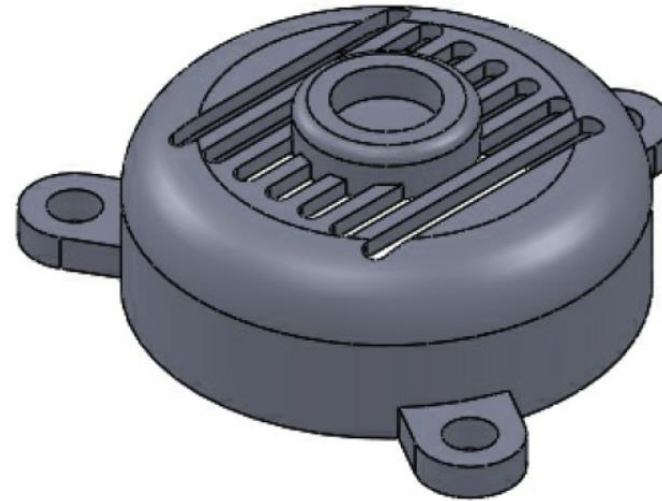
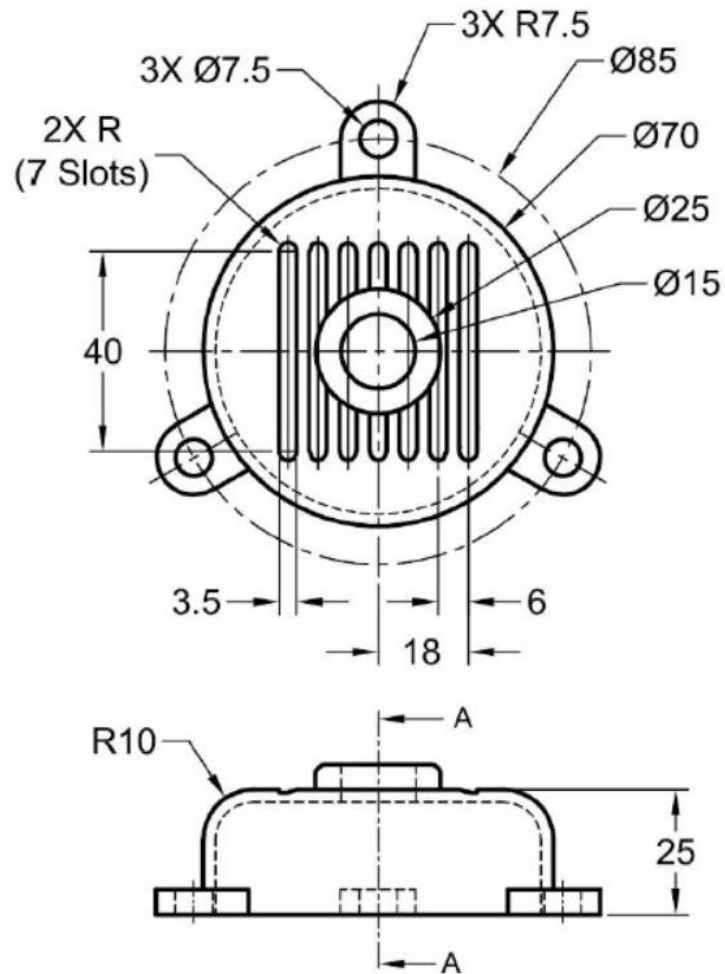
- Tools / Methods
 - Loft
 - Helix Spring / Spiral
 - 3D Sketch
 - Drag & Drop Copy
- Practice
 - Tutorial 2 (**Will be Graded**)
 - Tutorial 3 (**Will be Graded**)
 - Exercise 2 (**Will be Graded**)

Submission: 30th October, 2017

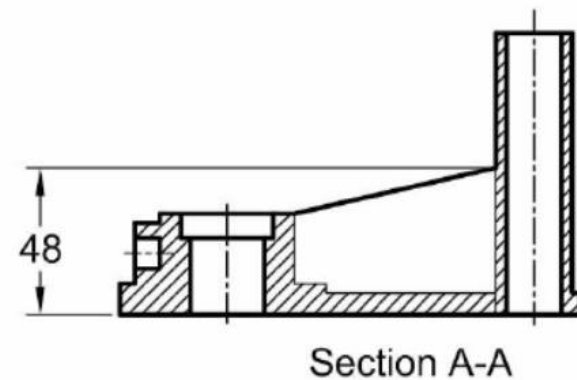
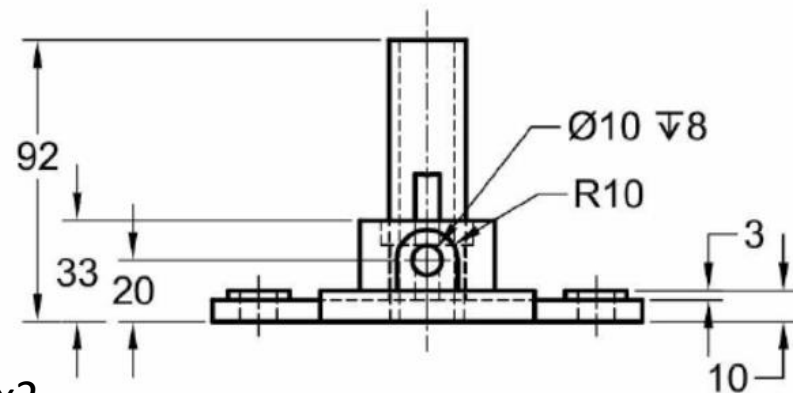
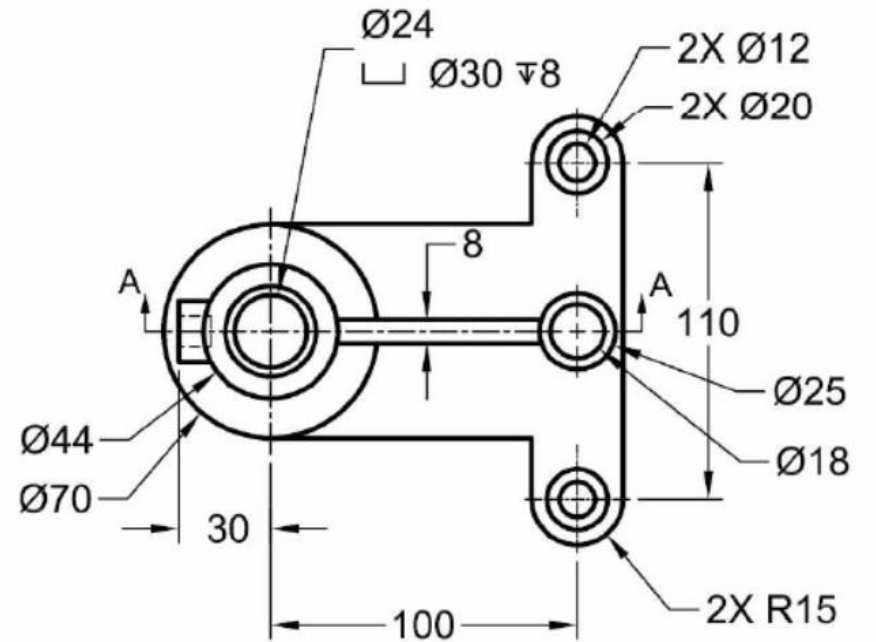
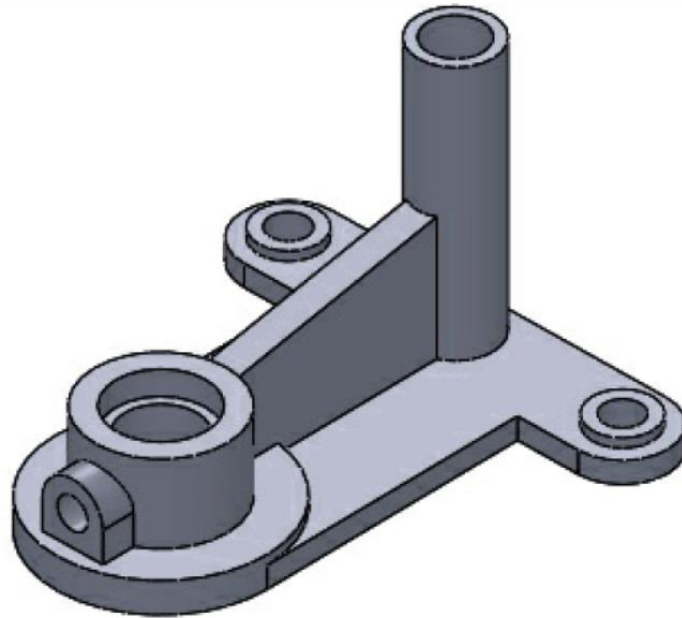
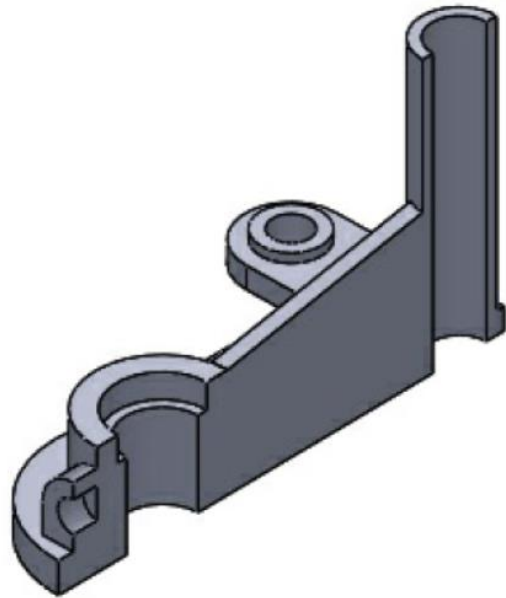
Tutorial 2 (Will be Graded)



Tutorial 3 (Will be Graded)



Exercise 2 (Will be Graded)



Submission Rules

- Homework's are due **at the Monday 11.59 P.M.** of the following week (*More Discussion on next class*).
- Quiz's will be taken (*More Discussion on later classes*).
- Submit everything via **Blackboard**.
- Copying your assignments are **prohibited**. If you do so, you and the individual you copied from will receive a **grade zero**, plus both of you will be referred for actions as described in the university's policy for academic dishonesty. ([Read Section 203 of the Student Code of Conduct 2013-2013 UTSA Information Bulletin.](#))