

ME 1403 Engineering Practice & Graphics  
Spring 2018

# Lecture 10

Chapter-7

Instructor:

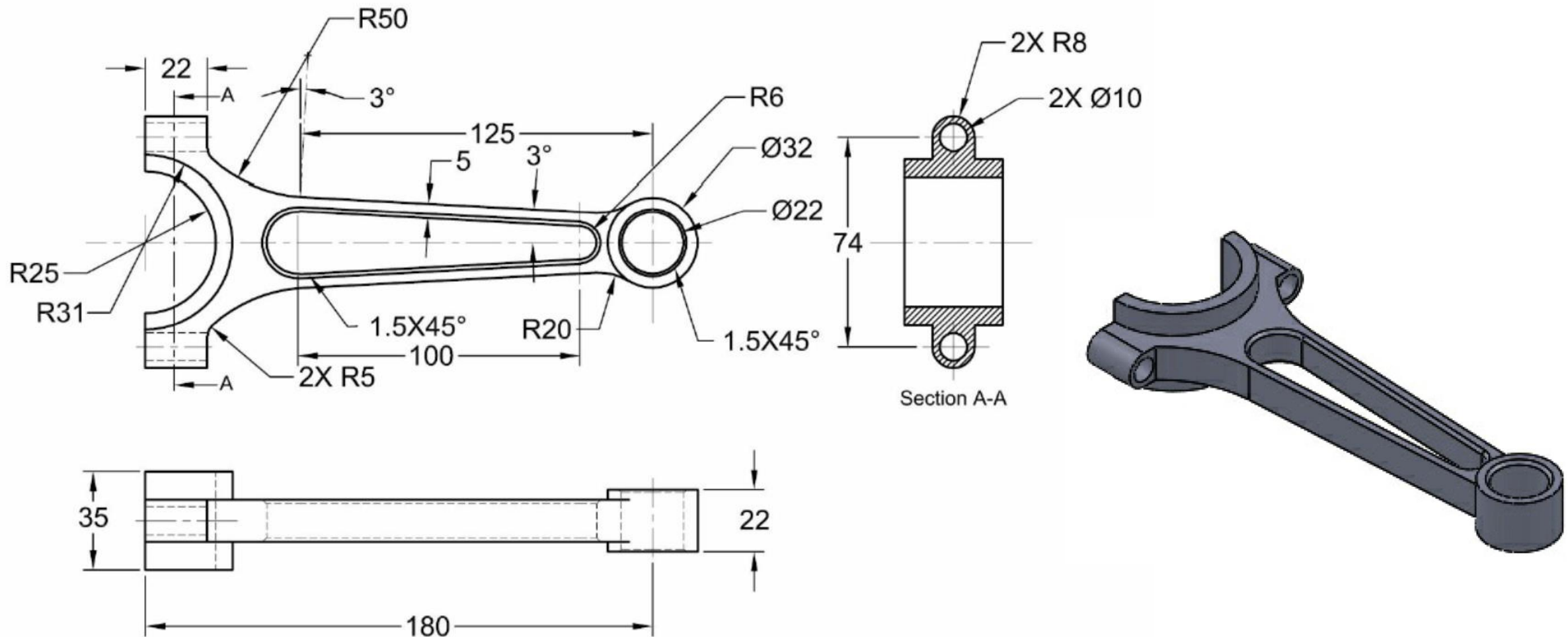
Syed Hasib Akhter Faruqui

[Email: shafnehal@gmail.com](mailto:shafnehal@gmail.com)

# Outline

- Tools / Methods
  - Swept Boss / Swept Cut
  - Rib Feature
  - Translate/ Rotate/ Copy
- Practice
  - Exercise 1 (**Will be Graded**)

# Exercise 1 (Will be Graded)



File Name: Your Section\_Your ID\_Ch7Ex1

# Submission Rules

- Homework's are due **at the Monday 11.59 P.M.** of the following week (*More Discussion on next class*).
- Quiz's will be taken (*More Discussion on later classes*).
- Submit everything via **Blackboard**.
- Copying your assignments are **prohibited**. If you do so, you and the individual you copied from will receive a **grade zero**, plus both of you will be referred for actions as described in the university's policy for academic dishonesty. ([Read Section 203 of the Student Code of Conduct 2013-2013 UTSA Information Bulletin.](#))