

ME 1403 Engineering Practice & Graphics

Fall - 2017

Lecture 5

Chapter-3

Instructor:

Syed Hasib Akhter Faruqui

[Email: shafnehal@gmail.com](mailto:shafnehal@gmail.com)

Announcement!

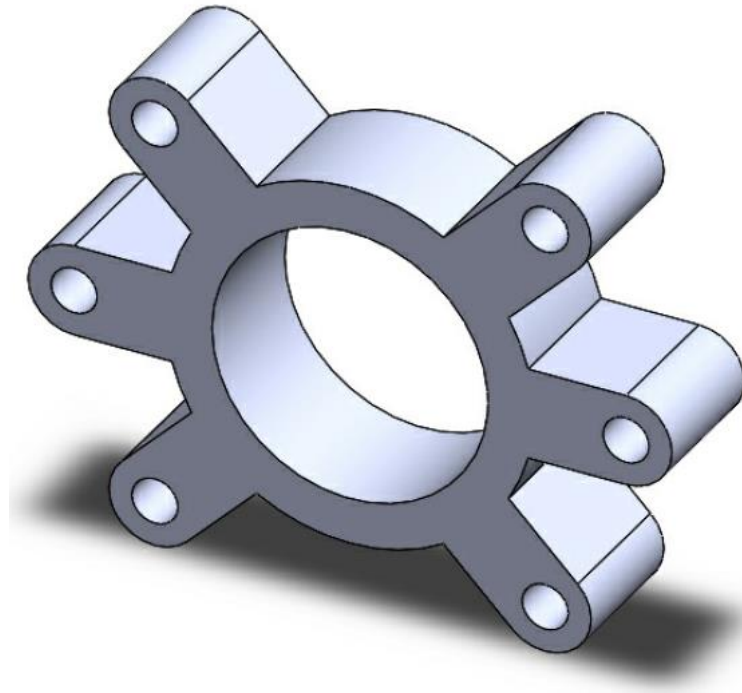
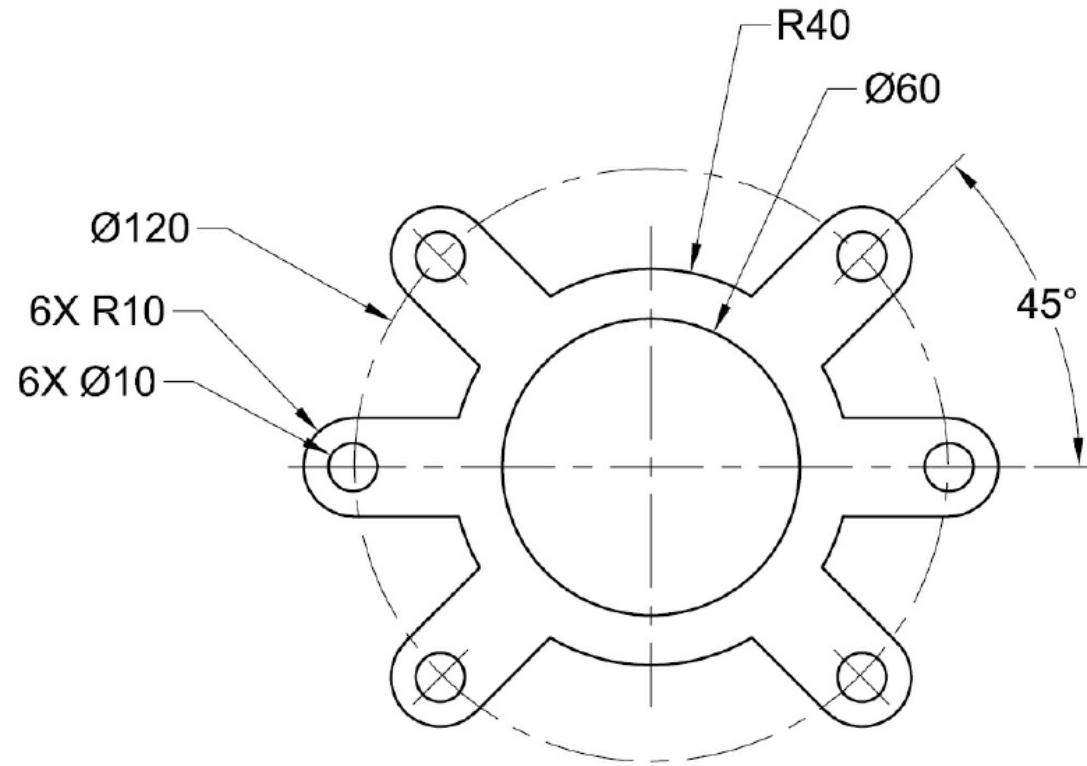
Quiz 1 (Next Class)

- Topics:
 - Chapter 2
 - Slots
 - Fix Position
 - Chapter 3
 - Labeling
 - Fillet/Chamfer
 - Pattern
 - Offsetting
- Time
 - 20 minutes

Outline

- Tools / Methods
 - Convert Entities
 - Intersection Curve
 - Moving / Rotating/ Scaling/ Stretching
- Discussion
 - Relations
 - Tolerance
 - Dimensioning Styles
- Practice
 - Exercise 4
- Home Work
 - Exercise-3 (Will be Graded)

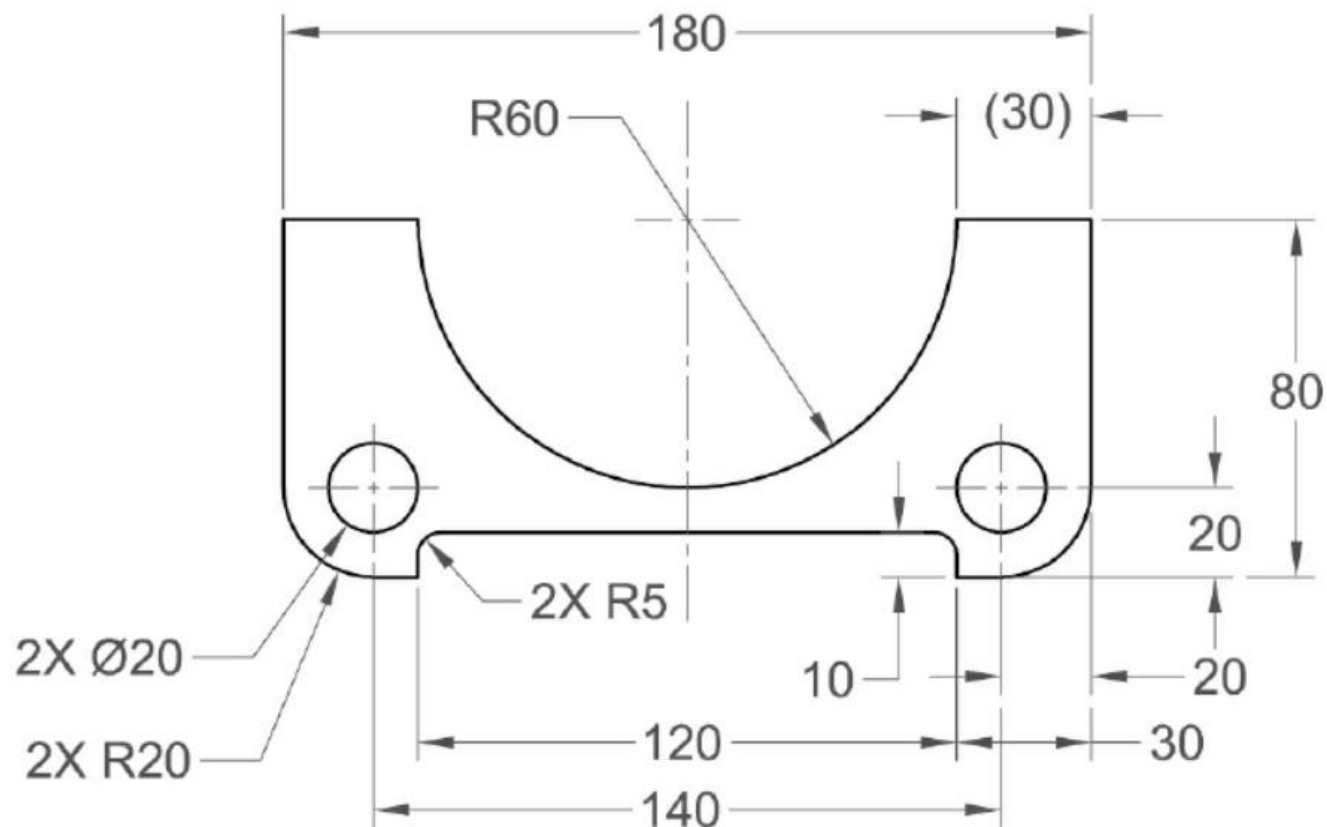
Exercise 4



Tools to use:

1. Diameter Measurement
2. Setting Sketches for Construction

Exercise 3 (Will be Graded)



Tools to use:

1. Setting Sketches for Construction
2. Mirror
3. Fillet

Submission Rules

- Homework's are due **at the beginning of the first lab** of the following week.
- Quiz's will be taken.
- Submit everything via **Blackboard**.
- Copying your assignments are **prohibited**. If you do so, you and the individual you copied from will receive a **grade zero**, plus both of you will be referred for actions as described in the university's policy for academic dishonesty. ([Read Section 203 of the Student Code of Conduct 2013-2013 UTSA Information Bulletin.](#)).

Submission Rules

- Any submission after deadline **will not be accepted** and thus will receive a **grade of zero**.
- Grading Criteria for Late Submission:
 - Submission on Time : 100%
 - Submission a week late : 75%
 - Submission two week late : 0%
- Naming Convention for your submission files:
 - *(your myUTSA id)_(Number/Name of the HomeWork)*
- For Example if your myUTSA id is “**abc123**” and You are submitting “**HW1**”. Then your submission file name should be “**abc123_HW1**”.