

ME 1403 Engineering Practice & Graphics

Fall - 2017

Lecture 3

Chapter-2

Instructor:

Syed Hasib Akhter Faruqui

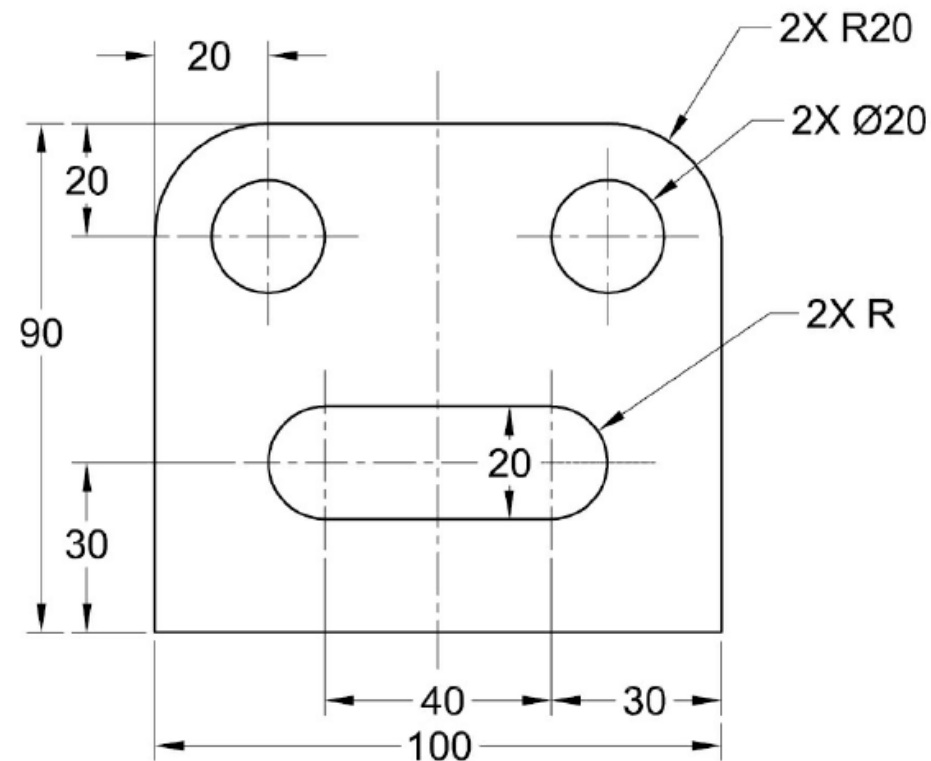
[Email: shafnehal@gmail.com](mailto:shafnehal@gmail.com)

Outline

- Tools / Methods
 - Spline
 - Slots
 - Display Style
 - Fix position
- Practice (Will be Graded)
 - Tutorial-2
 - Tutorial-3
- Homework (Will be Graded)
 - Tutorial-4
 - Exercise-3

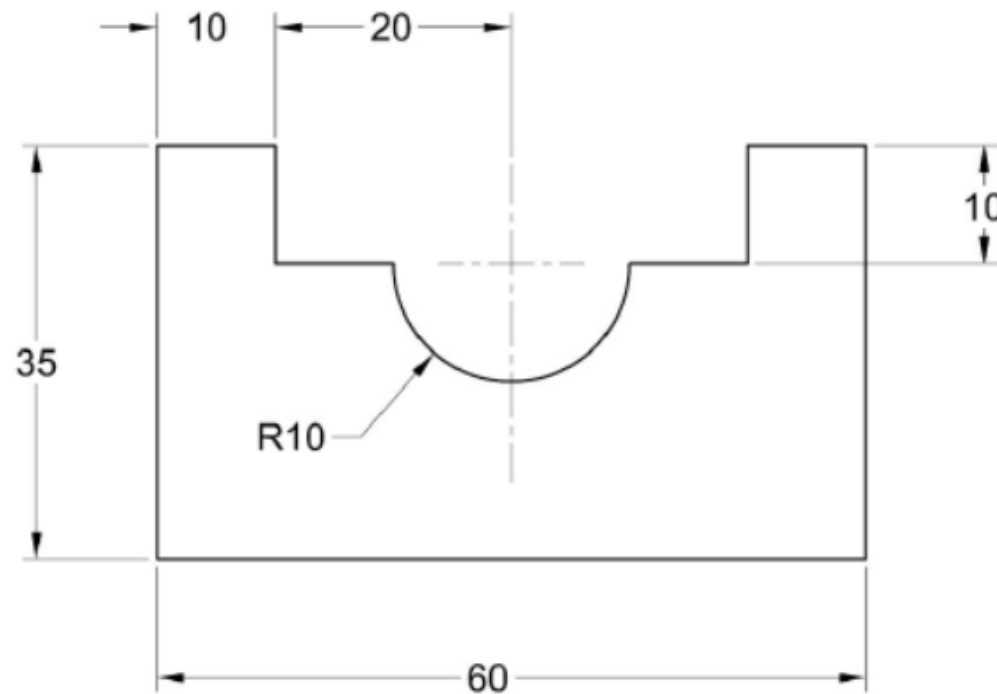
Practice

- In this tutorial, you will draw the sketch of the solid model shown in Figure. The sketch of the model is shown in Figure.



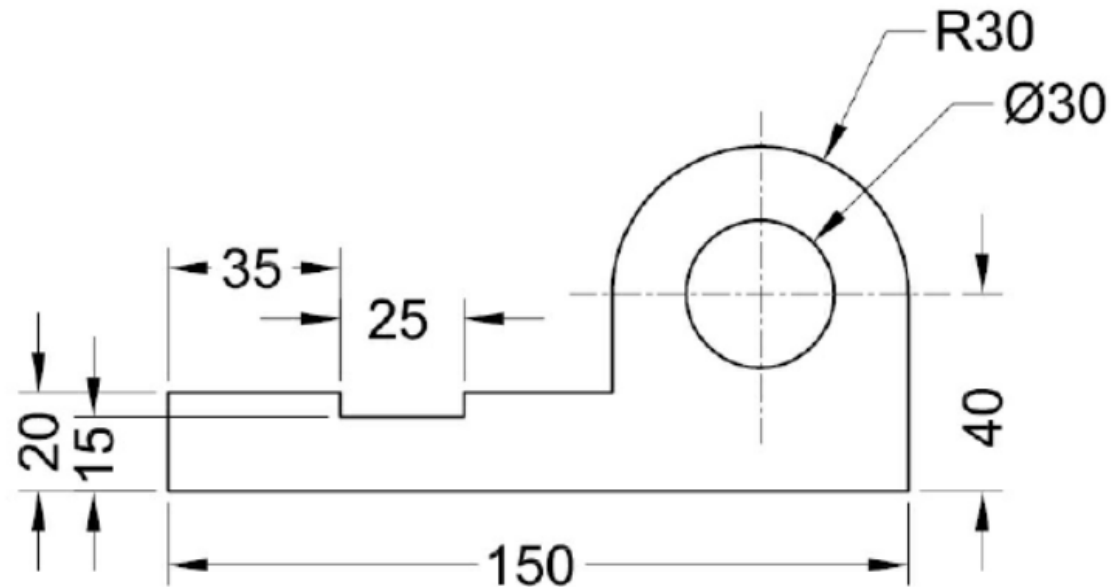
Tutorial 2 (Will be Graded)

- In this tutorial, you will draw the sketch of the solid model shown in Figure. The sketch of the model is shown in Figure.



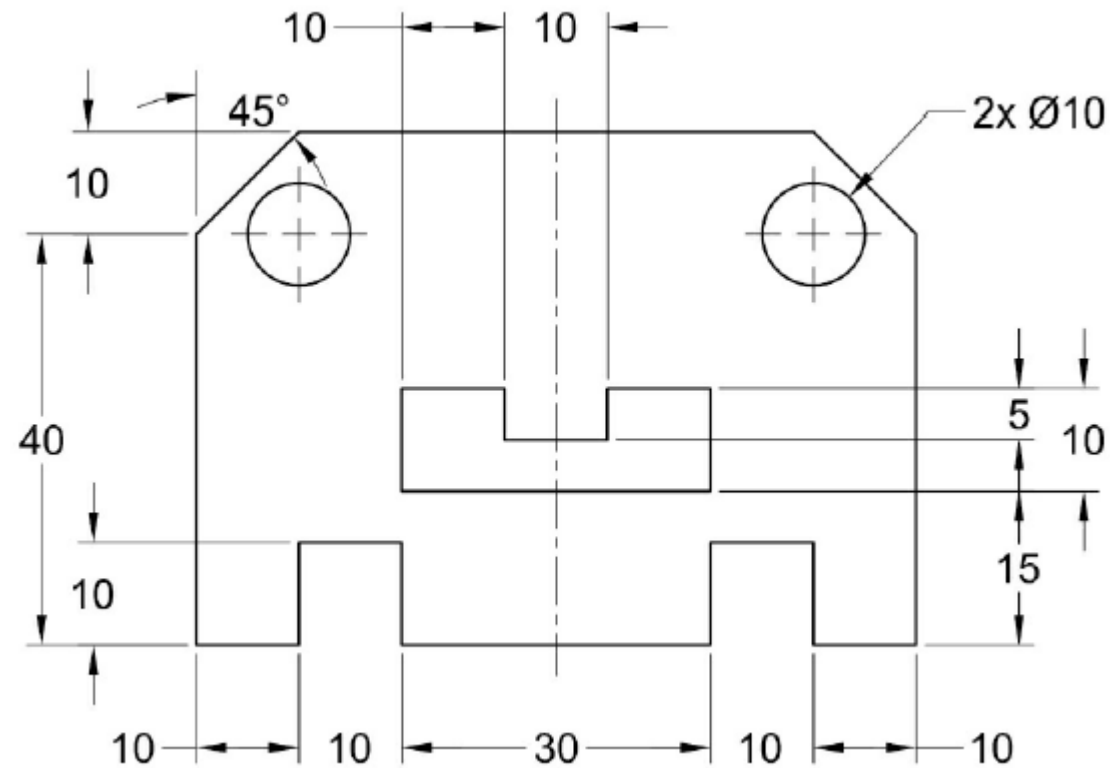
Tutorial 3 (Will be Graded)

- In this tutorial, you will draw the sketch of the solid model shown in Figure. The sketch of the model is shown in Figure.



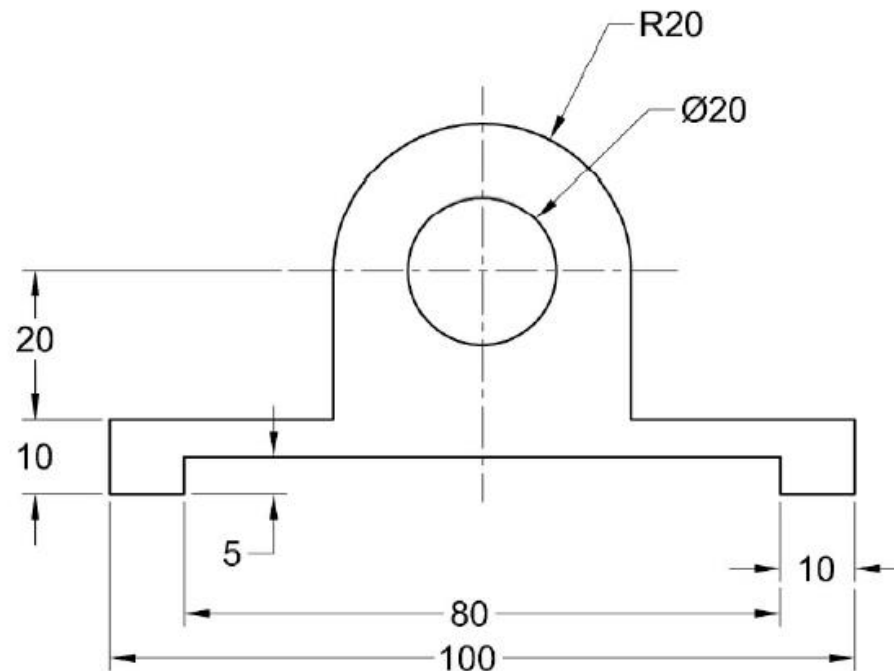
Tutorial 4 (Will be Graded)

- In this tutorial, you will draw the sketch of the solid model shown in Figure. The sketch of the model is shown in Figure.



Exercise 3 (Will be Graded)

- Draw the sketch of the model shown in Figure. The sketch to be drawn is shown in Figure. Do not dimension the sketch. The solid model and its dimensions are given for your reference only



WEEK	WEEK OF DATE	CHAPTERS	IN-CLASS TUTORIALS	HOMEWORKS
1	Aug 21 – 25	Introduction to Solidwork		
2	Aug 28 – Sep 1	Chapter 2	Tut: 2, 3, 4, Ex:3	Homework set 1
3	Sep 4	Labor Day		
	Sep 5 – 8	Chapter 3	Tut: 2, 3 Ex:3	Homework set 2
4	Sep 11 – 15	Chapter 4	Tut: 1, 2 Ex: 1	Homework set 3
		Quiz 1 (Sketches, Chapter 2,3)		
5	Sep 18 – 19	Chapter 5	Tut: 1,3	Homework set 4
	Sep 19, 20	First Midterm Exam (Including chapter 4)		
6	Sep 25 – 29	Chapter 6	Tut: 2, 3 Ex:1	Homework set 5
7	Oct 2 – 6	Chapter 7	Tut: 1, 2 Ex: 1	
		Quiz 2(Part Design, Chapter 5 & 6)		
8	Oct 9 – 13	Chapter 8	Tut: 1, 3 Ex:3	
9	Oct 16 – 20	Chapter 9	Tut: 2, 3 Ex:2	
		Quiz 3 (Part Design, Chapter 7 & 8)		
10	Oct 23 – 27	Chapter 10	Tut: 1, 3 Ex:3	
11	Oct 30 – Nov 3	Chapter 12	Tut: 1	
	Nov 1,2	Second Midterm Exam (Including chapter 10)		
12	Nov 6 – 10	Chapter 12	Tut: 2	
13	Nov 13 – 17	Chapter 13	Tut: 1,2 Ex:1	
		Quiz 4 (Assembly, Chapter 12 & 13)		
14	Nov 20 – 22	Chapter 14	Tut: 1,2 Ex:1	
	Nov 23 - 24	Thanks Giving		
15	Nov 27 – Dec 1	Chapter 15	Tut: 1,2 Ex:1	
		Quiz 5 (Drawing, Chapter 14 & 15)		
16	Dec 4 – 5	Project Presentation		
	Dec 6 – 7	Final Exam		

Submission Rules

- Homework's are due **at the beginning of the first lab** of the following week (*More Discussion on next class*).
- Quiz's will be taken (*More Discussion on next class*).
- Submit everything via **Blackboard**.
- Copying your assignments are **prohibited**. If you do so, you and the individual you copied from will receive a **grade zero**, plus both of you will be referred for actions as described in the university's policy for academic dishonesty. ([Read Section 203 of the Student Code of Conduct 2013-2013 UTSA Information Bulletin.](#)).

Submission Rules

- Any submission after deadline **will not be accepted** and thus will receive a **grade of zero**.
- Grading Criteria for Late Submission:
 - Submission on Time : 100%
 - Submission a week late : 75%
 - Submission two week late : 0%
- Naming Convention for your submission files:
 - *(your myUTSA id)_(Number/Name of the HomeWork)*
- For Example if your myUTSA id is “**abc123**” and You are submitting “**HW1**”. Then your submission file name should be “**abc123_HW1**”.