

ME 1403 Engineering Practice & Graphics

Fall - 2017

Lecture 21

Chapter-15

Instructor:

Syed Hasib Akhter Faruqui

[Email: shafnehal@gmail.com](mailto:shafnehal@gmail.com)

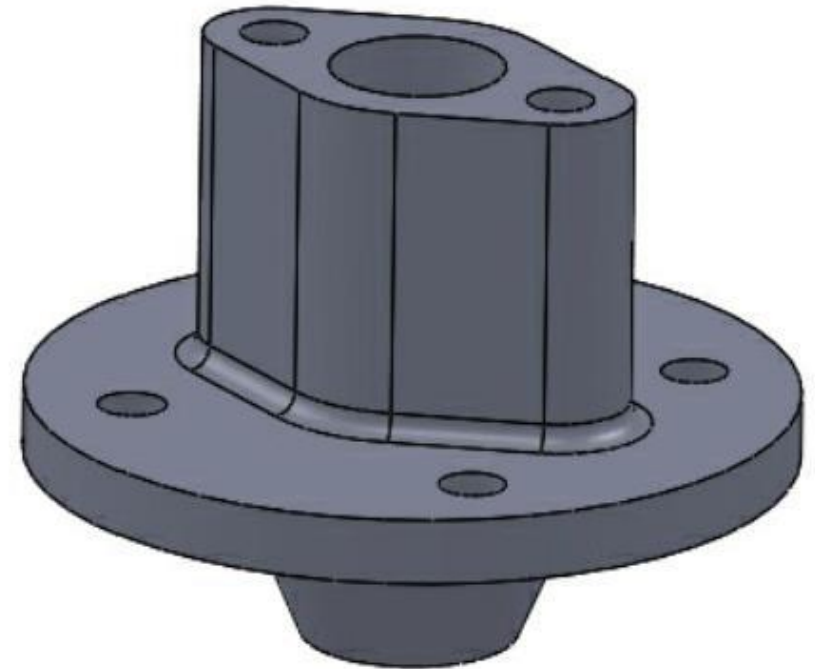
Outline

- Topics
 - Annotation
 - Surface Finish
 - Hole Callout
 - Balloon Callout
 - Revision Cloud
 - Bill of Materials
 - Adding Sheet
- Today's Task (Will be Graded)
 - Tutorial 1
 - Tutorial 2
 - Exercise 1

Tutorial 1 (Will be Graded)

In this tutorial, first you will open the drawing created in Tutorial 2 of Chapter 9 and then-

1. Generate dimensions and add annotations to it.
2. Change the display of the front and the right view to make hidden lines visible.
3. Finally, you will change the display of the isometric view to the shaded mode



Submission Rules

- Homework's are due **at the beginning of the first lab** of the following week.
- Quiz's will be taken.
- Submit everything via **Blackboard**.
- Copying your assignments are **prohibited**. If you do so, you and the individual you copied from will receive a **grade zero**, plus both of you will be referred for actions as described in the university's policy for academic dishonesty. ([Read Section 203 of the Student Code of Conduct 2013-2013 UTSA Information Bulletin](#)).

Submission Rules

- Any submission after deadline **will not be accepted** and thus will receive a **grade of zero**.
- Grading Criteria for Late Submission:
 - Submission on Time : 100%
 - Submission a week late : 75%
 - Submission two week late : 0%
- Naming Convention for your submission files:
 - *(your myUTSA id)_(Number/Name of the HomeWork)*
- For Example if your myUTSA id is “**abc123**” and You are submitting “**HW1**”. Then your submission file name should be “**abc123_HW1**”.