

ME 1403 Engineering Practice & Graphics

Fall - 2017

# Lecture 10

Chapter-7

Instructor:

Syed Hasib Akhter Faruqui

[Email: shafnehal@gmail.com](mailto:shafnehal@gmail.com)

# Announcement!

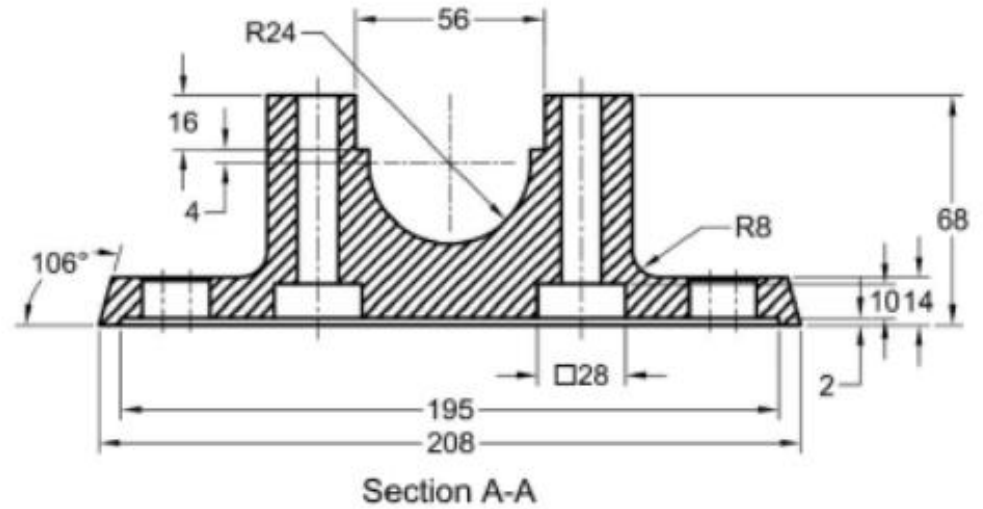
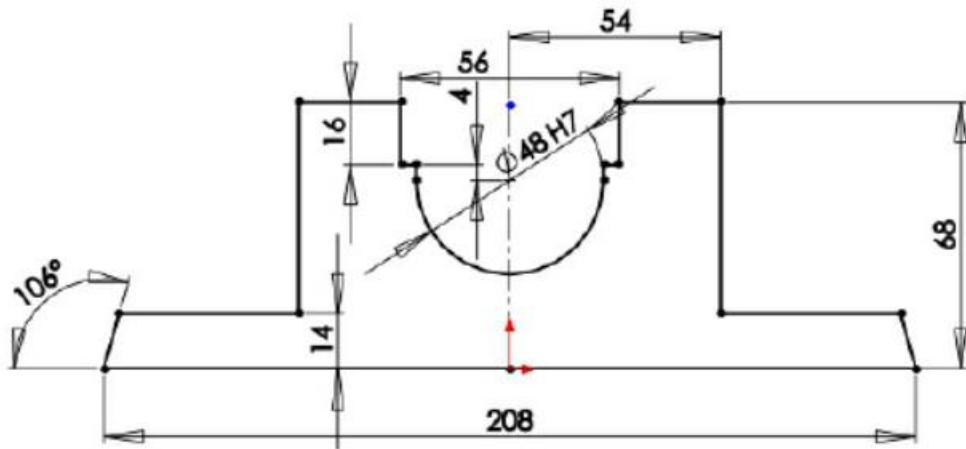
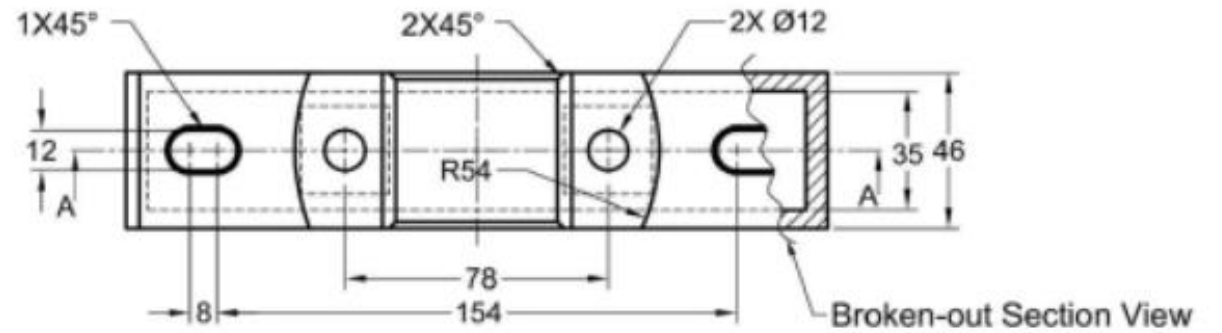
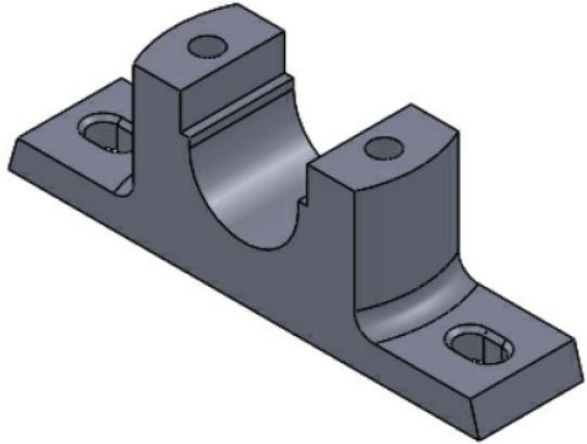
## Quiz 2 (Next Class)

- Topics:
  - Chapter 5
    - Extrude
    - Revolve
  - Chapter 6
    - Reference Geometry
    - Extrude Cut
    - Revolve Cut
    - Fillet / Chamfer
- Time
  - 20 minutes

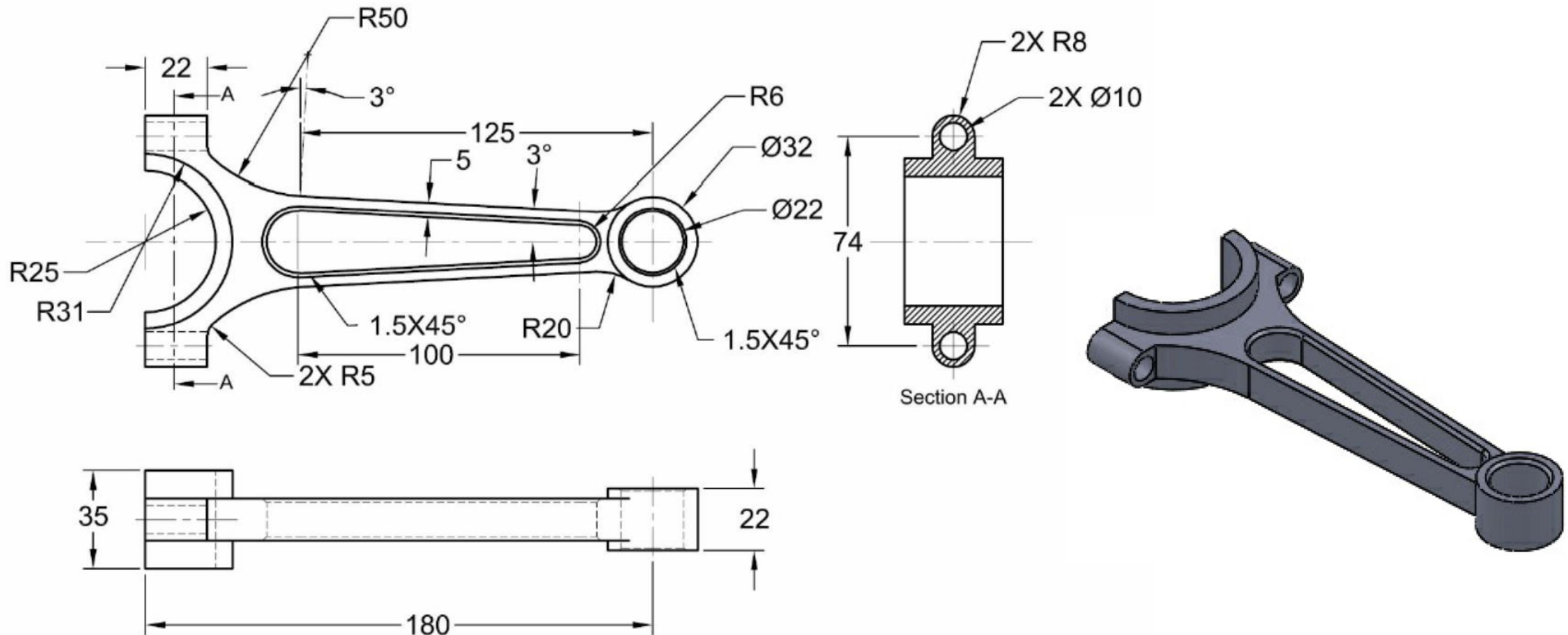
# Outline

- Tools / Methods
  - Wrap
  - Mirror
  - Pattern: Linear Pattern / Circular Pattern / Curve Driven Pattern
- Practice
  - Tutorial 1 (**Will be Graded**)
  - Exercise 1 (**Will be Graded**)

# Tutorial 1 (Will be Graded)



# Exercise 1 (Will be Graded)



# Submission Rules

- Homework's are due **at the beginning of the first lab** of the following week.
- Quiz's will be taken.
- Submit everything via **Blackboard**.
- Copying your assignments are **prohibited**. If you do so, you and the individual you copied from will receive a **grade zero**, plus both of you will be referred for actions as described in the university's policy for academic dishonesty. ([Read Section 203 of the Student Code of Conduct 2013-2013 UTSA Information Bulletin](#)).

# Submission Rules

- Any submission after deadline **will not be accepted** and thus will receive a **grade of zero**.
- Grading Criteria for Late Submission:
  - Submission on Time : 100%
  - Submission a week late : 75%
  - Submission two week late : 0%
- Naming Convention for your submission files:
  - *(your myUTSA id)\_(Number/Name of the HomeWork)*
- For Example if your myUTSA id is “**abc123**” and You are submitting “**HW1**”. Then your submission file name should be “**abc123\_HW1**”.