

ME 1403 Engineering Practice & Graphics
Spring 2018

Lecture 8

Chapter-6

Instructor:

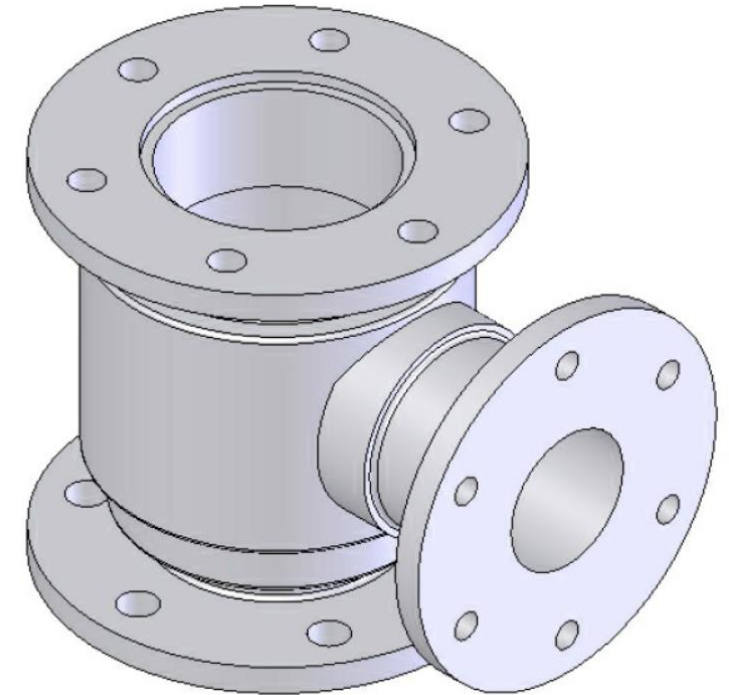
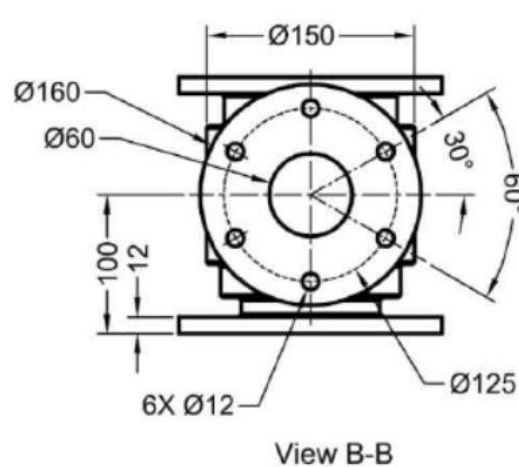
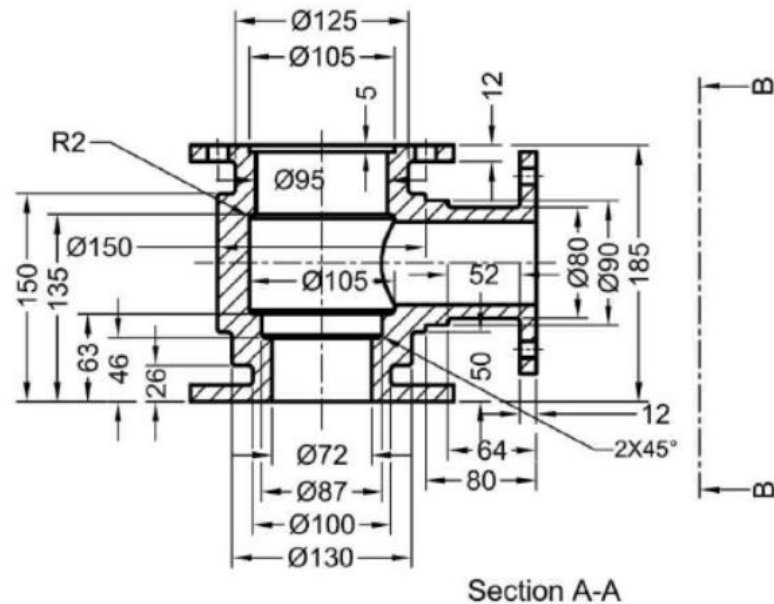
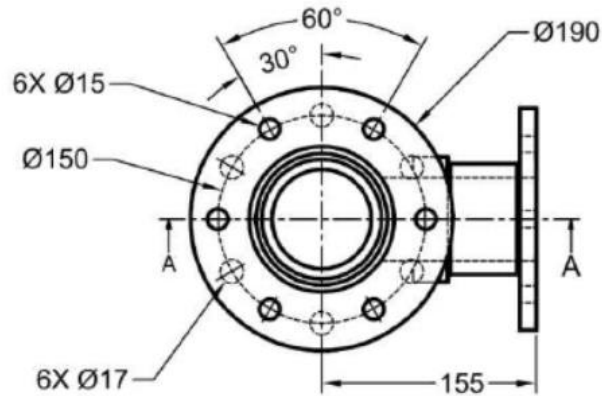
Syed Hasib Akhter Faruqui

[Email: shafnehal@gmail.com](mailto:shafnehal@gmail.com)

Outline

- Tools / Methods
 - Hole
 - Hole Wizard
 - Thread
 - Fillet /Chamfer
 - Shell
- Practice
 - Exercise- 1

Exercise-1 (Will be Graded)



Note: All fillets are of Radius 2

Hint:

- 1) Revolve Boss
- 2) Extrude Cut
- 3) Multiple Plane

Submission Rules

- Homework's are due **at the Monday 11.59 P.M.** of the following week (*More Discussion on next class*).
- Quiz's will be taken (*More Discussion on later classes*).
- Submit everything via **Blackboard**.
- Copying your assignments are **prohibited**. If you do so, you and the individual you copied from will receive a **grade zero**, plus both of you will be referred for actions as described in the university's policy for academic dishonesty. ([Read Section 203 of the Student Code of Conduct 2013-2013 UTSA Information Bulletin.](#))