

ME 1403 Engineering Practice & Graphics
Spring 2018

Lecture 3

Chapter-3

Instructor:

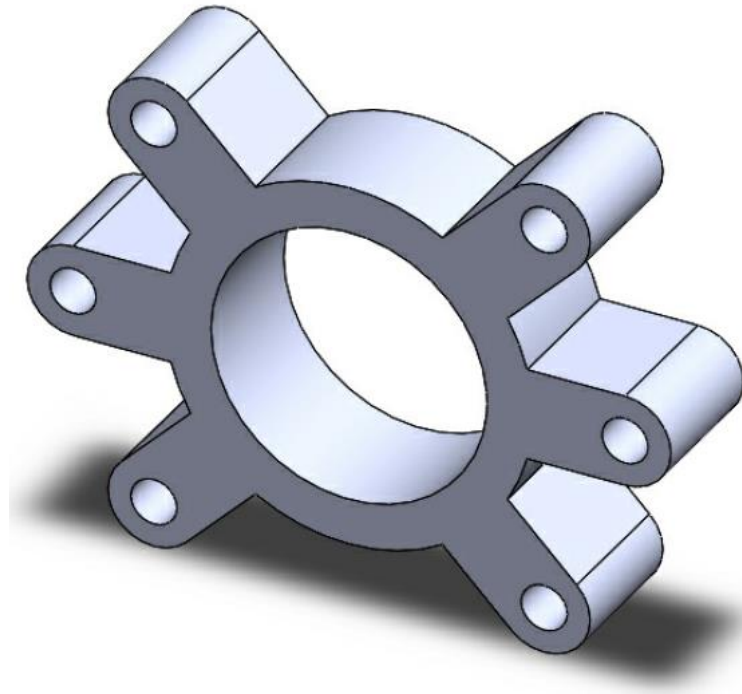
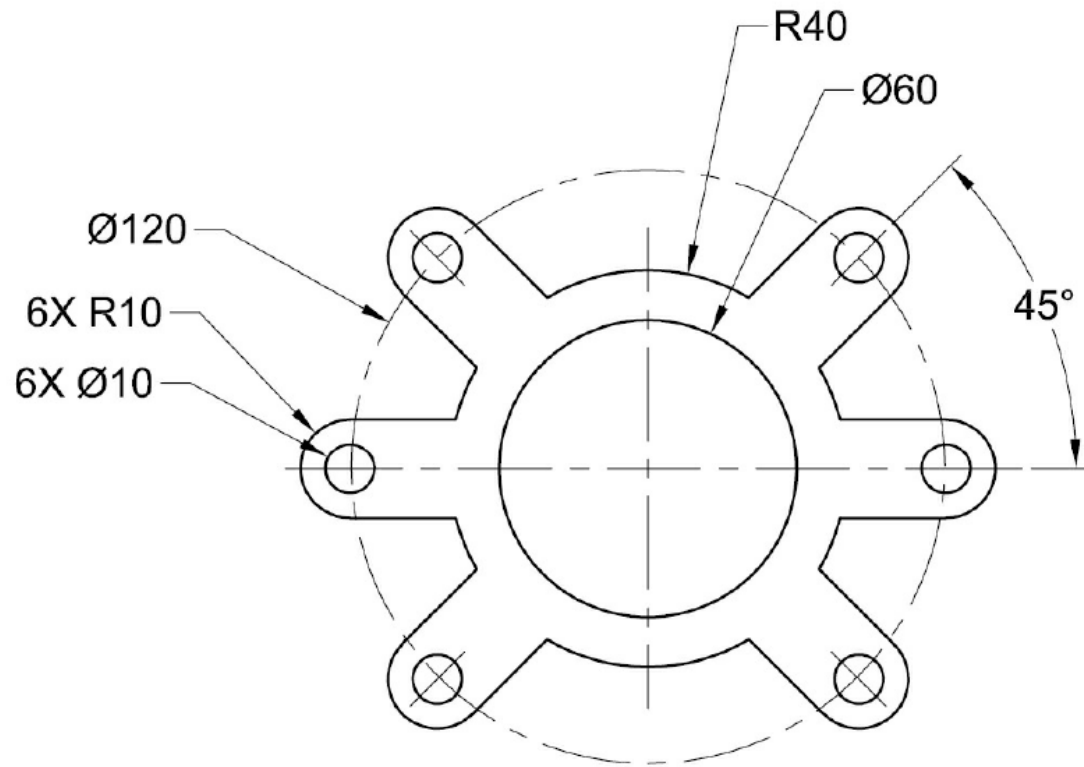
Syed Hasib Akhter Faruqui

[Email: shafnehal@gmail.com](mailto:shafnehal@gmail.com)

Outline

- Tools / Methods
 - Mirror
 - Convert Entities
 - Intersection Curve
 - Moving / Rotating/ Scaling/ Stretching
- Discussion
 - Relations
 - Tolerance
 - Dimensioning Styles
- Practice
 - Exercise 4
- Home Work
 - Tutorial - 2 (Will be Graded)
 - Tutorial - 3 (Will be Graded)
 - Exercise- 3 (Will be Graded)

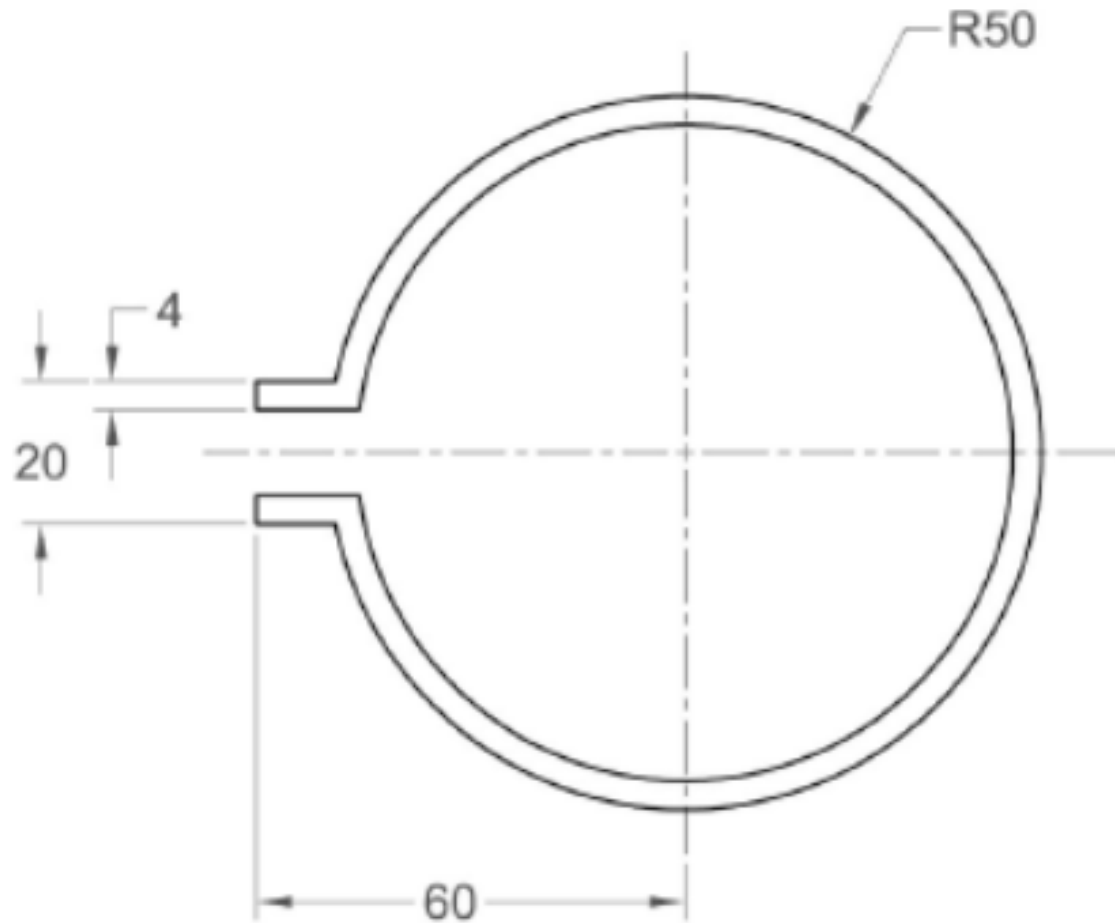
Exercise 4 (Practice File)



Tools to use:

1. Diameter Measurement
2. Setting Sketches for Construction

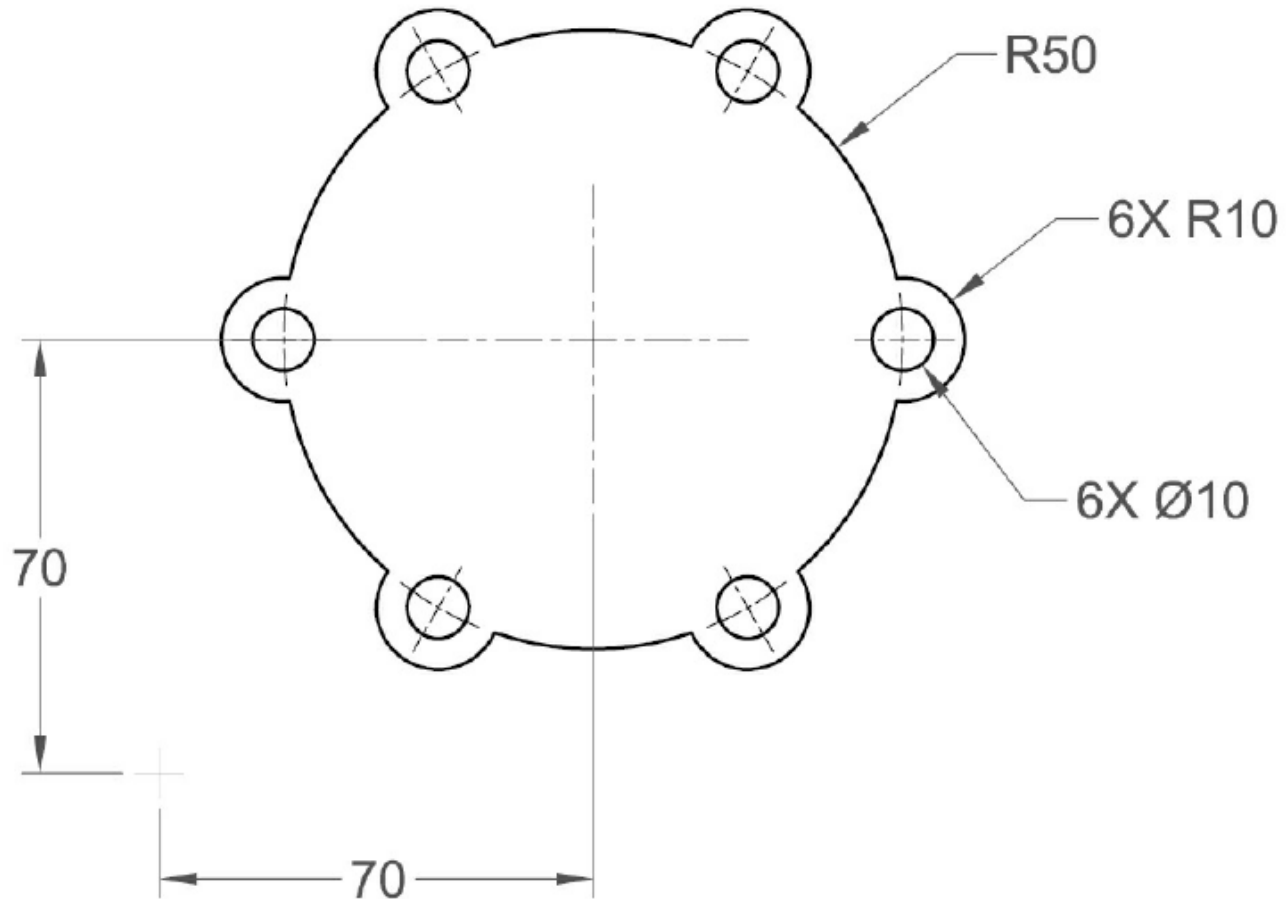
Tutorial 2 (Will be Graded)



Tools to use:

1. Offseting
2. Power Trim Tool

Tutorial 3 (Will be Graded)

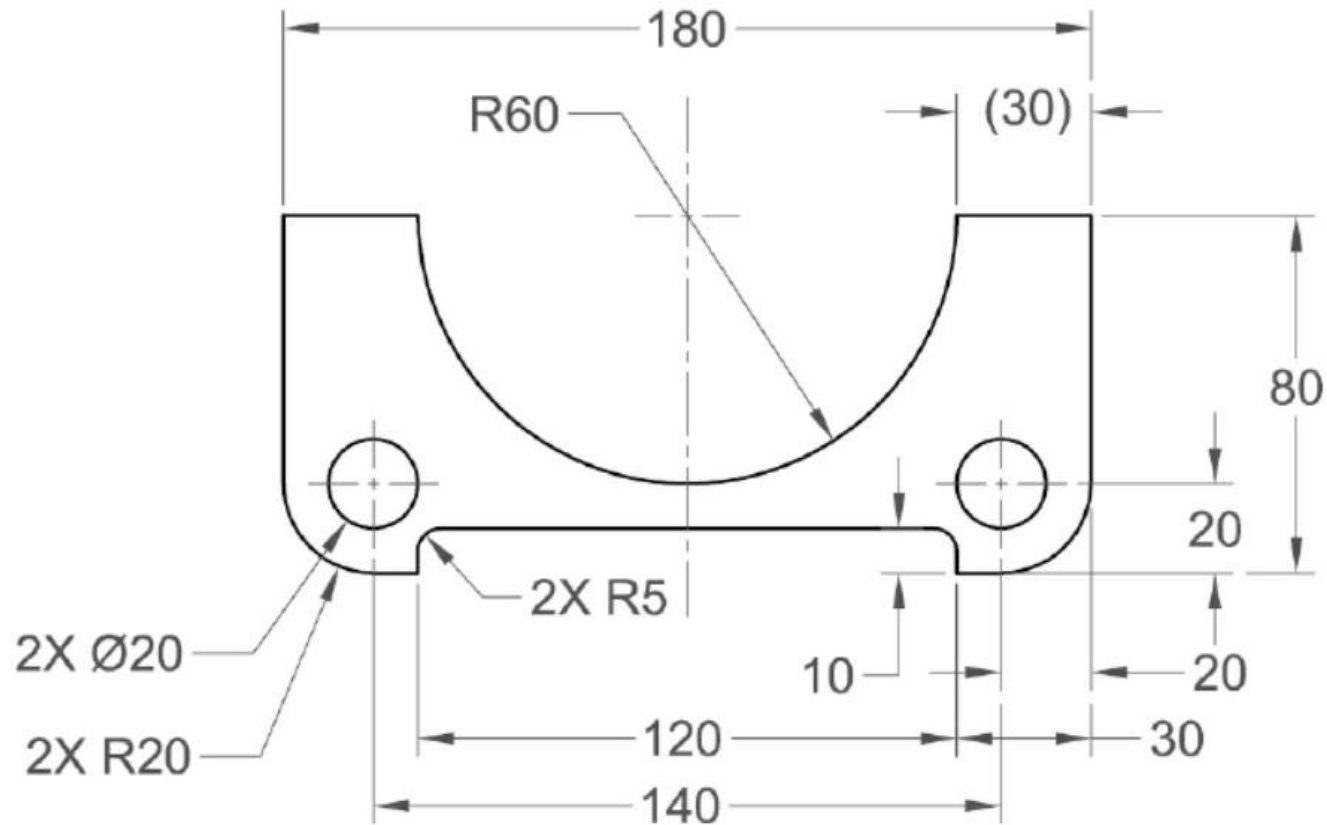


Tools to use:

1. Circular Pattern
2. Power Trim Tool
3. Construction Lines

File Name: Your Section_Your ID_Ch3Tut3

Exercise 3 (Will be Graded)



Tools to use:

1. Setting Sketches for Construction
2. Mirror
3. Fillet

File Name: Your Section_Your ID_Ch3Ex3