

ME 1403 Engineering Practice & Graphics
Spring 2018

Lecture 15

Chapter-13

Instructor:

Syed Hasib Akhter Faruqui

[Email: shafnehal@gmail.com](mailto:shafnehal@gmail.com)

Announcement!

Quiz 4 (4th April, 2018)

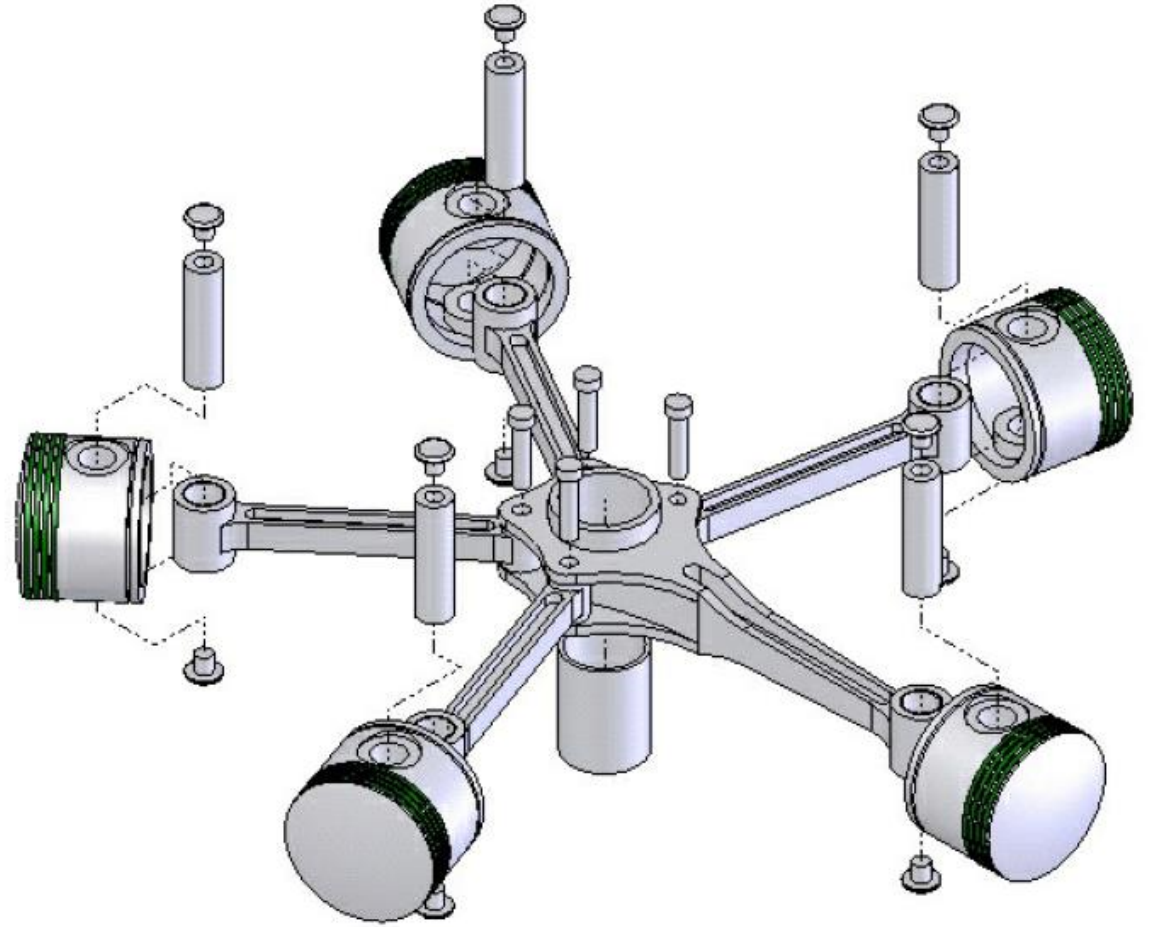
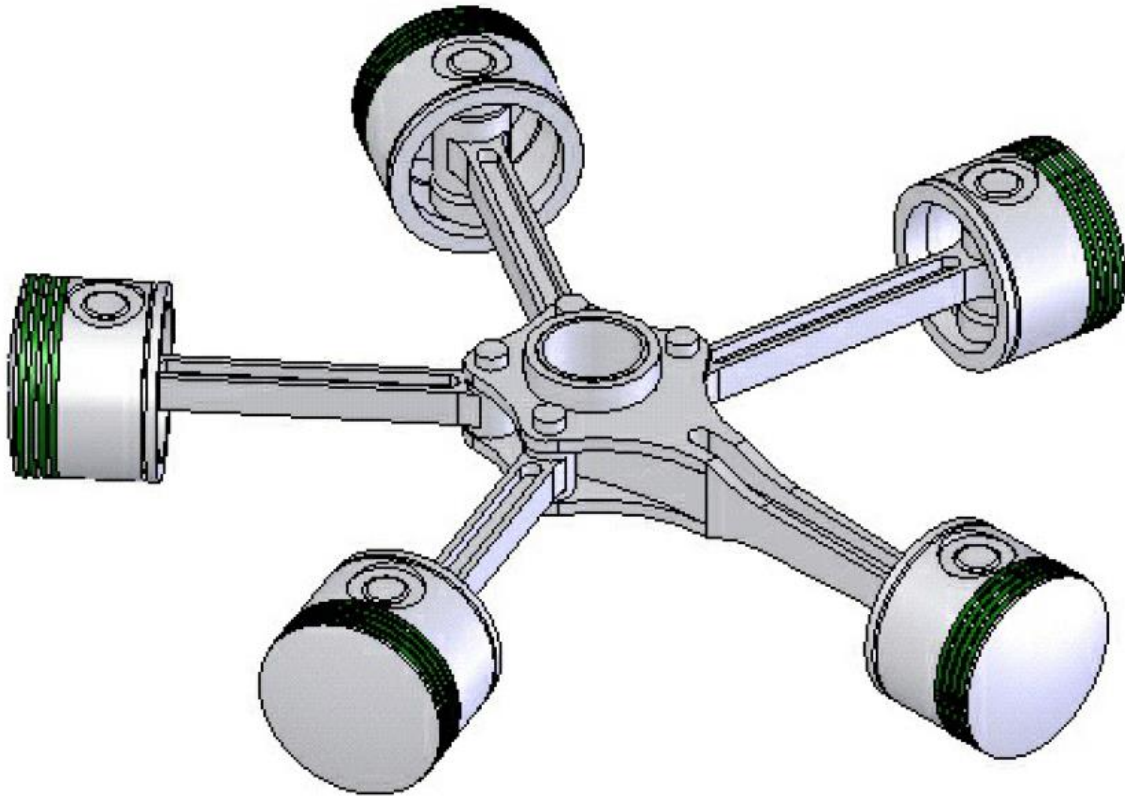
- Topics:
 - Assembly
- Time
 - 30 minutes

Outline

- Advance Assembly (Check the zip file uploaded on website / Blackboard)
 - Symmetric Mate
 - Distance & Angle Mate
 - Hinge Mate
 - Mirroring (Same as Part Design) but addition Copy with Mates
- Evaluate
 - Interference Detection
 - Clearance
 - Hole Alignment
 - Mass Property
- Home Work (Will be Graded)
 - Tutorial 1
 - Tutorial 2

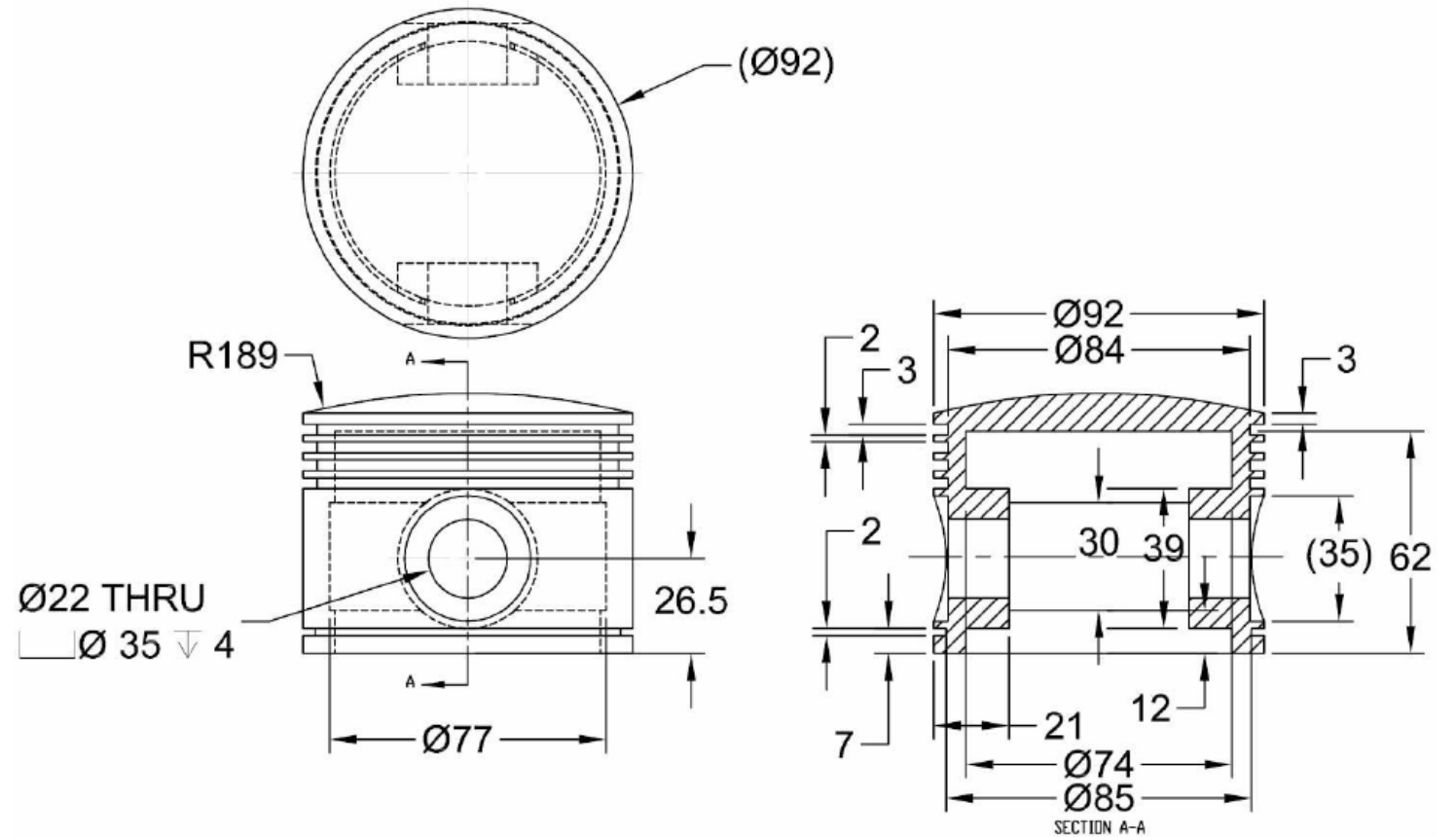
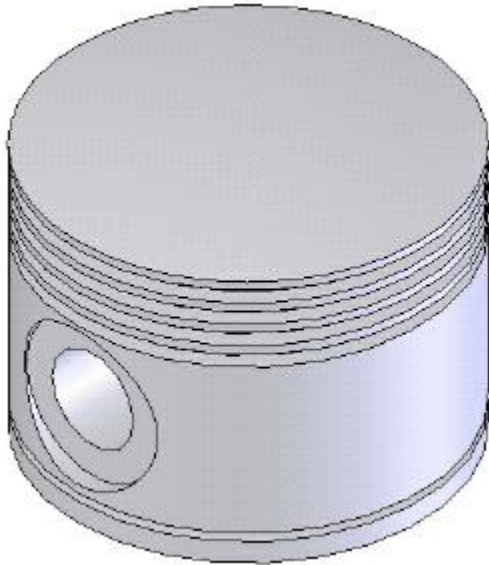
Tutorial 1

(Will be Graded)



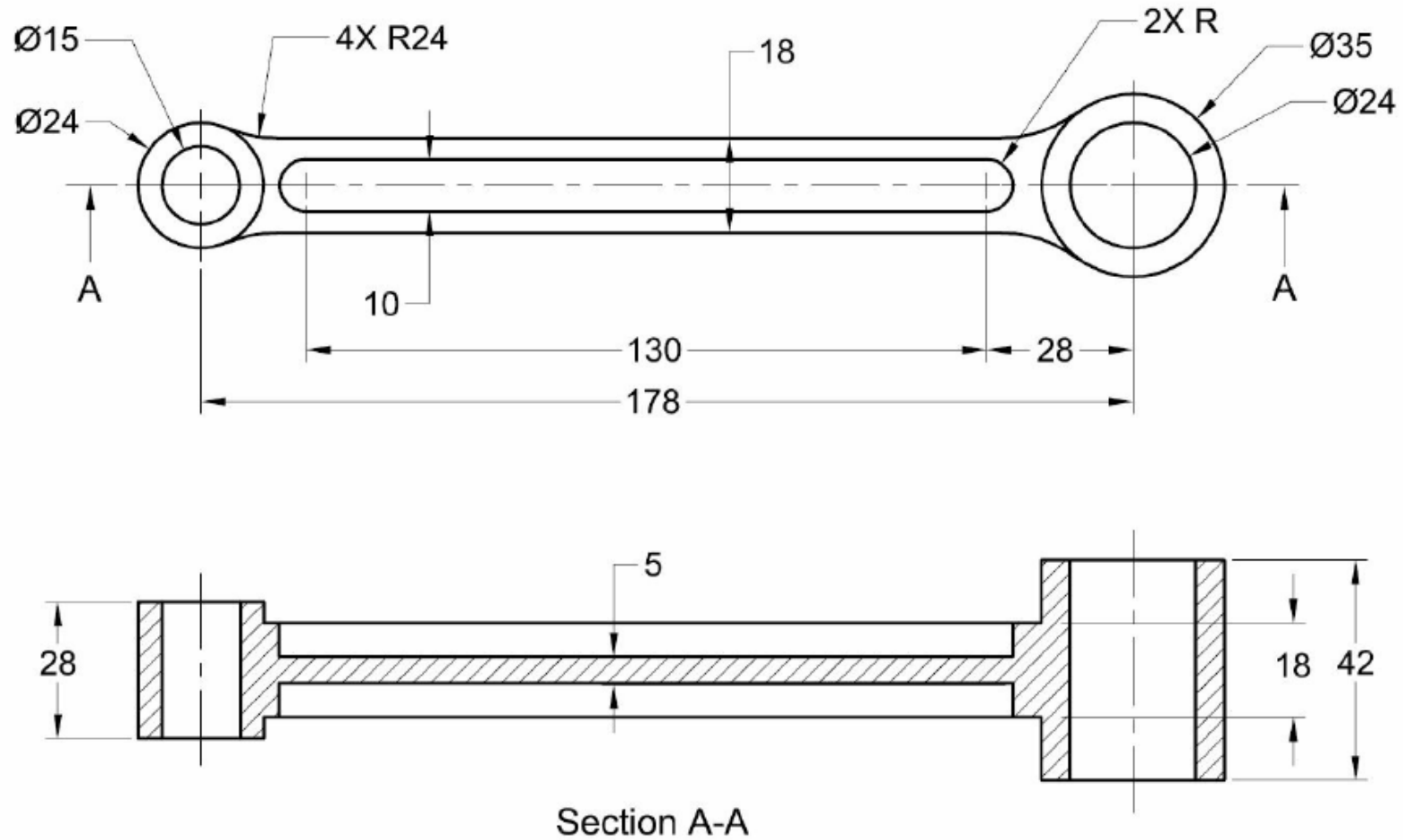
Tutorial-1

(Will be Graded)



Tutorial-1

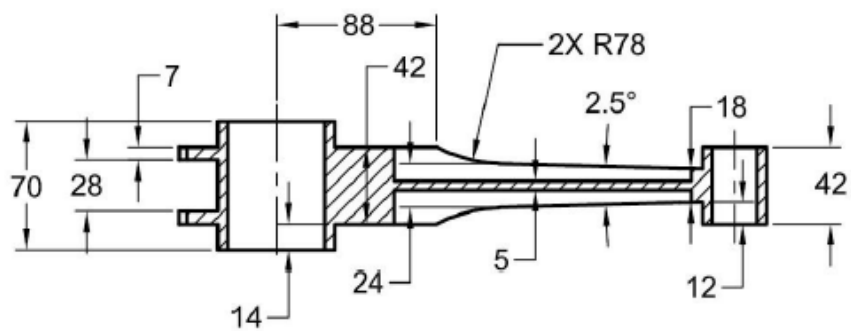
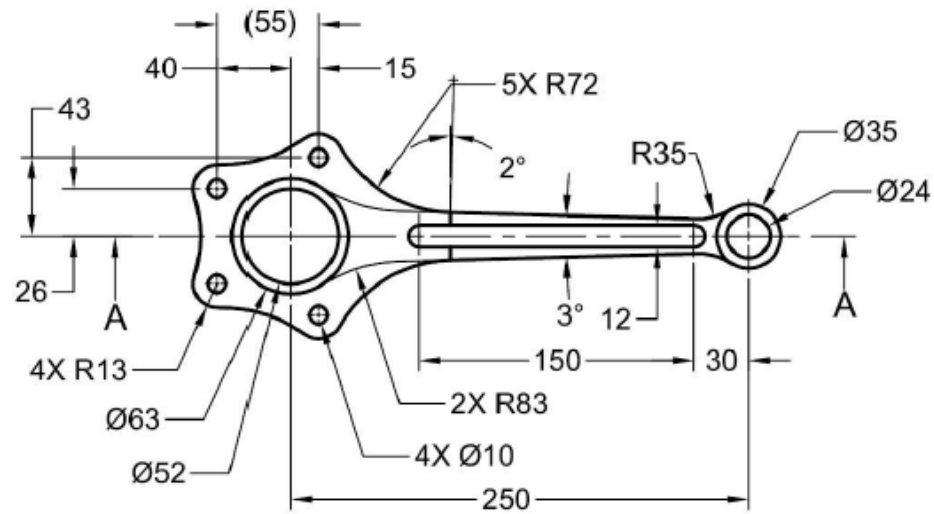
(Will be Graded)



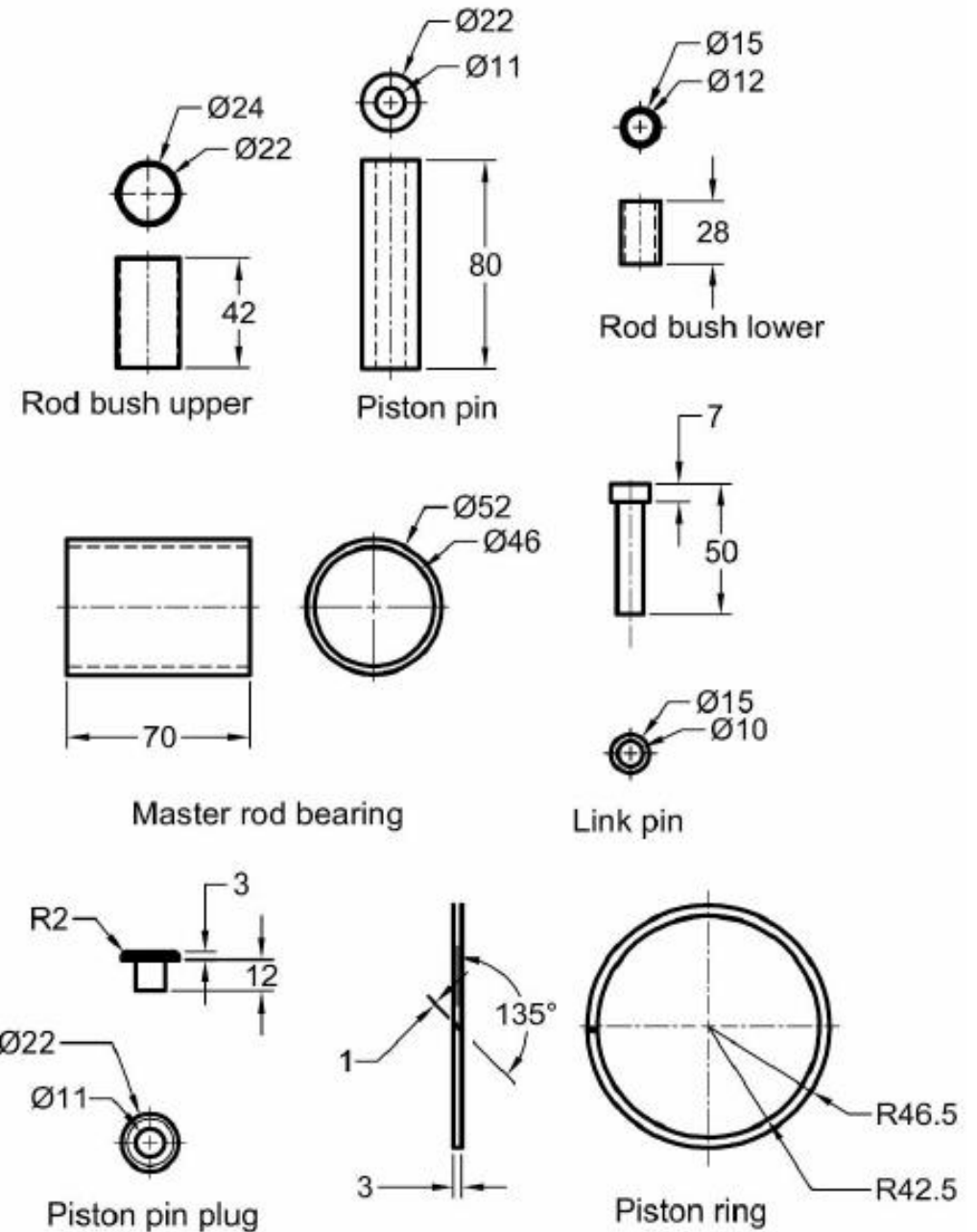
File Name: Your_Section_Your ID_Ch13Tut1

Tutorial-1

(Will be Graded)

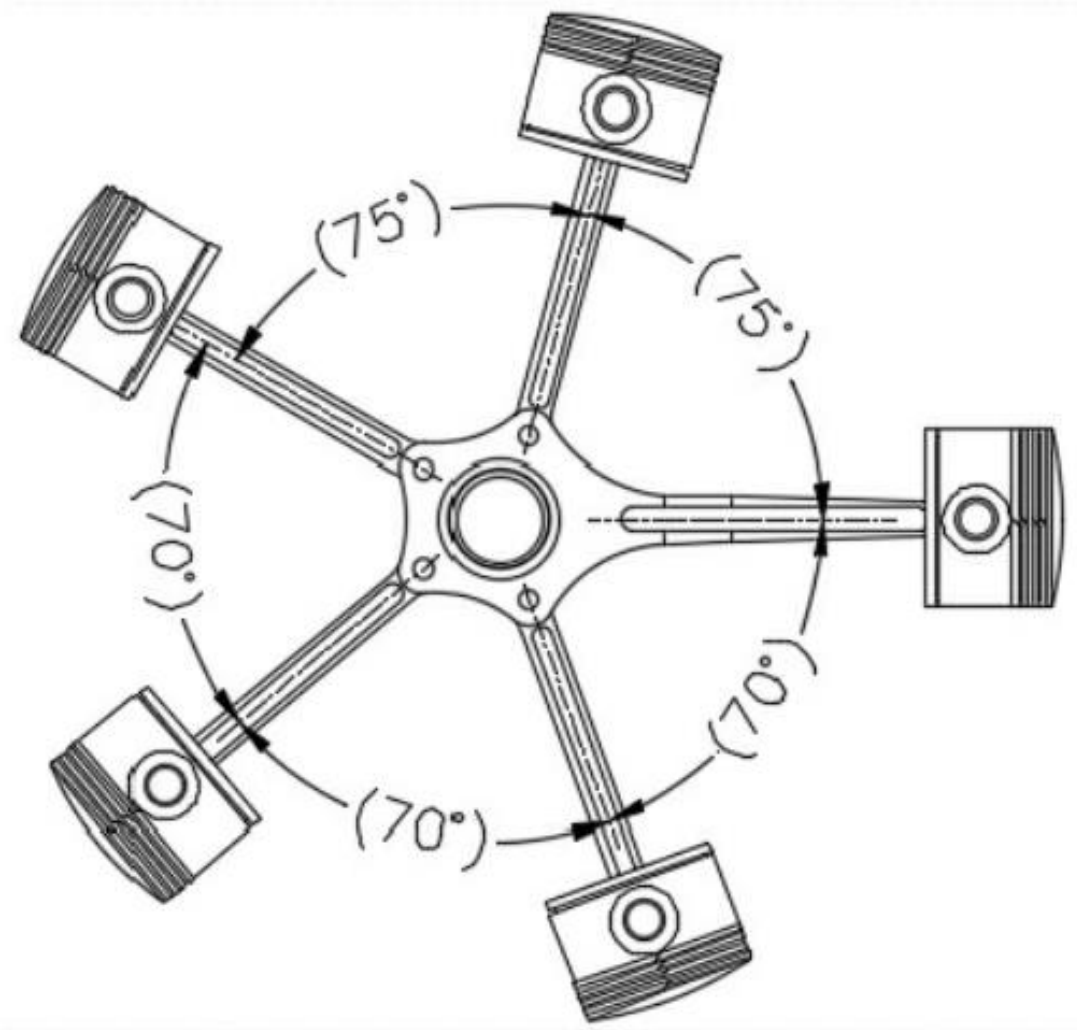


SECTION A-A



Tutorial-1

(Will be Graded)



Tutorial-2

You Don't need to submit this one.

Bonus Grades will be given to all for this one.

Submission Rules

- Homework's are due **at the Monday 11.59 P.M.** of the following week (*More Discussion on next class*).
- Submit everything via **Blackboard**.
- Copying your assignments are **prohibited**. If you do so, you and the individual you copied from will receive a **grade zero**, plus both of you will be referred for actions as described in the university's policy for academic dishonesty. ([Read Section 203 of the Student Code of Conduct 2013-2013 UTSA Information Bulletin.](#))