

ME 1403 Engineering Practice & Graphics  
Spring 2018

# Lecture 14

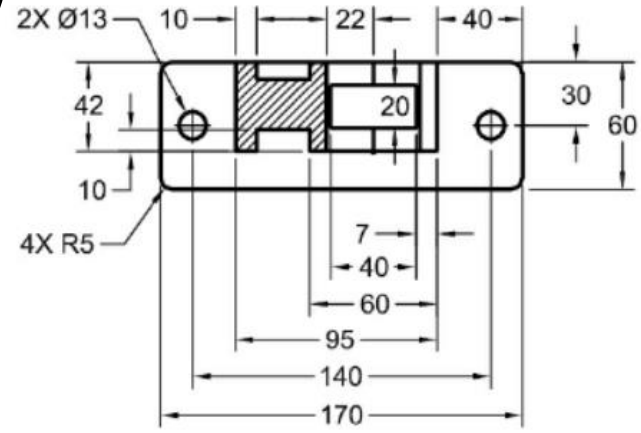
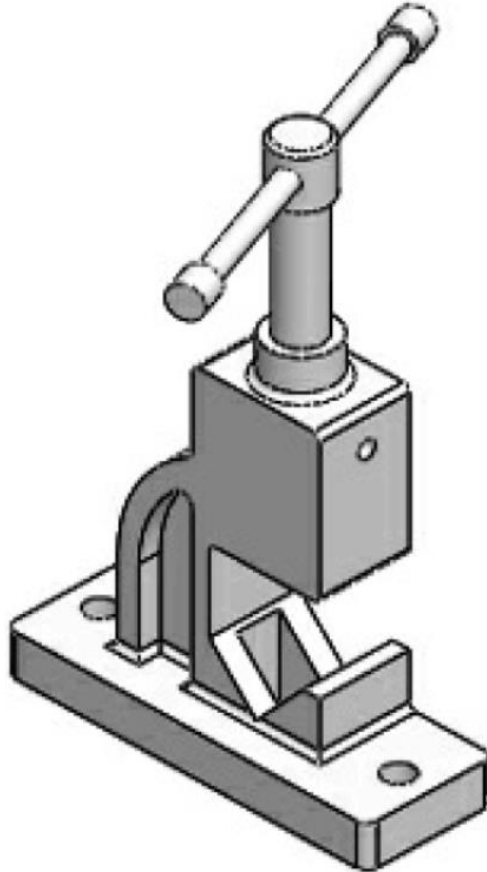
Chapter-12

Instructor:

Syed Hasib Akhter Faruqui

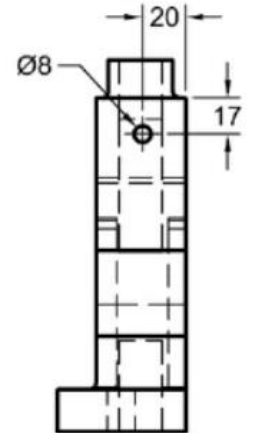
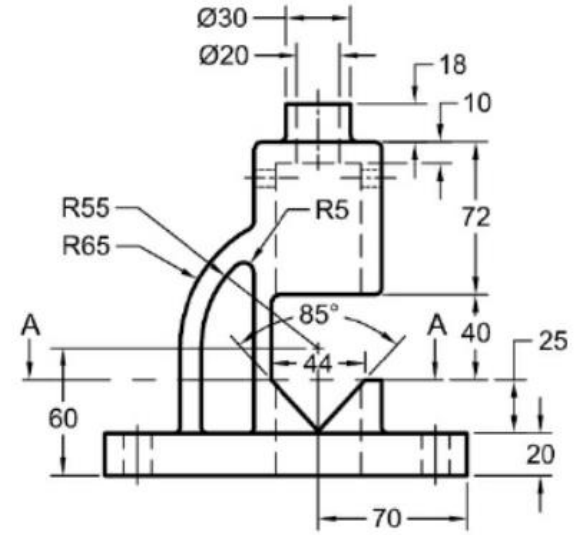
[Email: shafnehal@gmail.com](mailto:shafnehal@gmail.com)

# Tutorial 2 (Will be Graded)

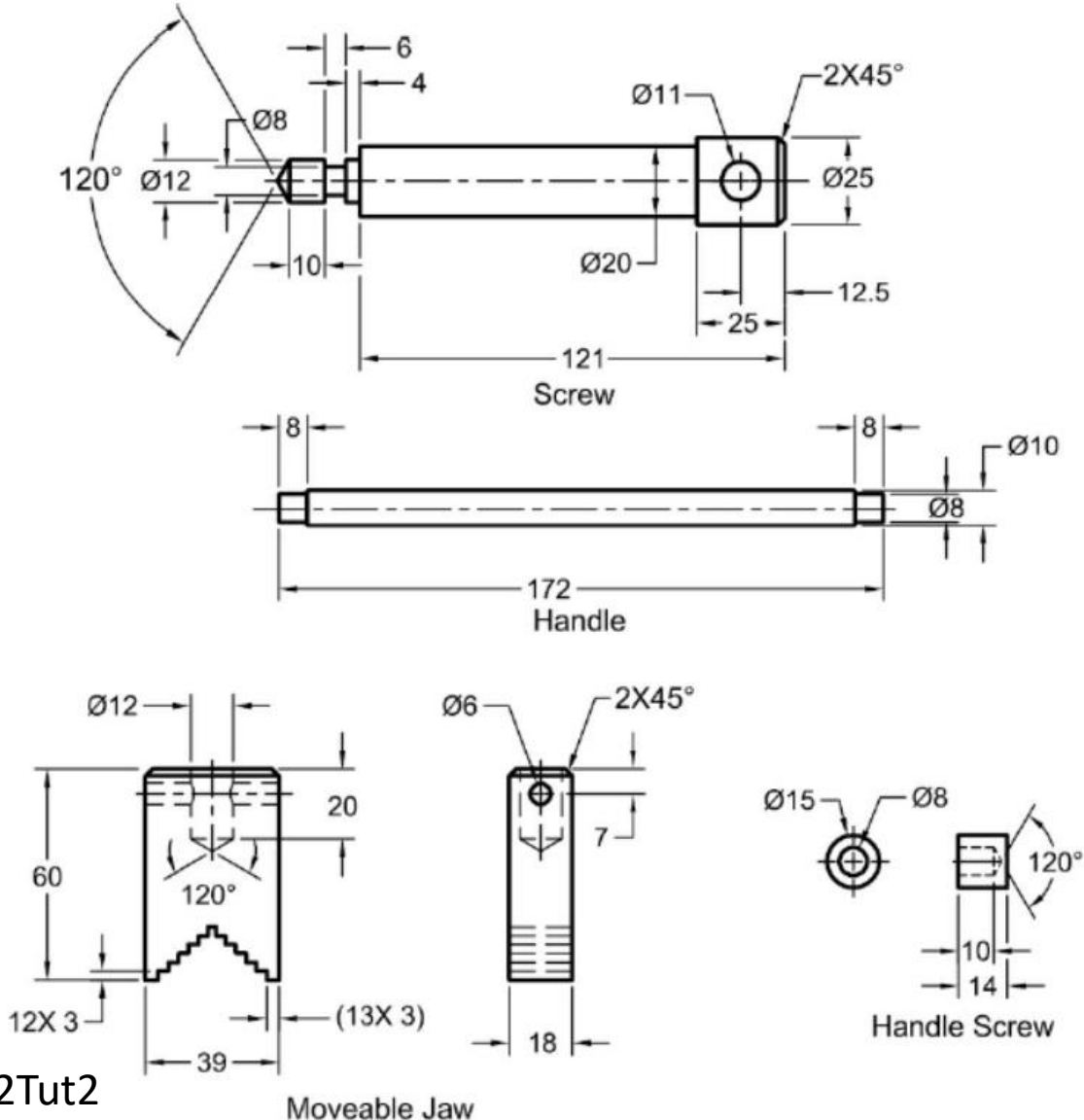


Section A-A

Fillet radius= 3mm, unless specified



# Tutorial 2 (Will be Graded)



# Submission Rules

- Homework's are due **at the Monday 11.59 P.M.** of the following week (*More Discussion on next class*).
- Submit everything via **Blackboard**.
- Copying your assignments are **prohibited**. If you do so, you and the individual you copied from will receive a **grade zero**, plus both of you will be referred for actions as described in the university's policy for academic dishonesty. ([Read Section 203 of the Student Code of Conduct 2013-2013 UTSA Information Bulletin.](#))