

ME 1403 Engineering Practice & Graphics
Spring 2018

Lecture 8

Chapter-5

Instructor:

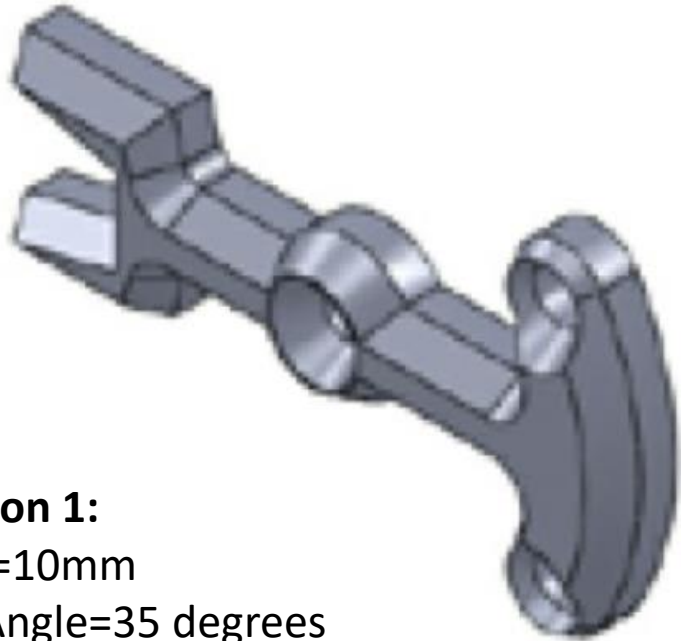
Syed Hasib Akhter Faruqui

[Email: shafnehal@gmail.com](mailto:shafnehal@gmail.com)

Outline

- Practice
 - Tutorial-1 (Will be Graded)
 - Tutorial-3 (Will be Graded)

Tutorial 1 (Will be Graded)



Direction 1:

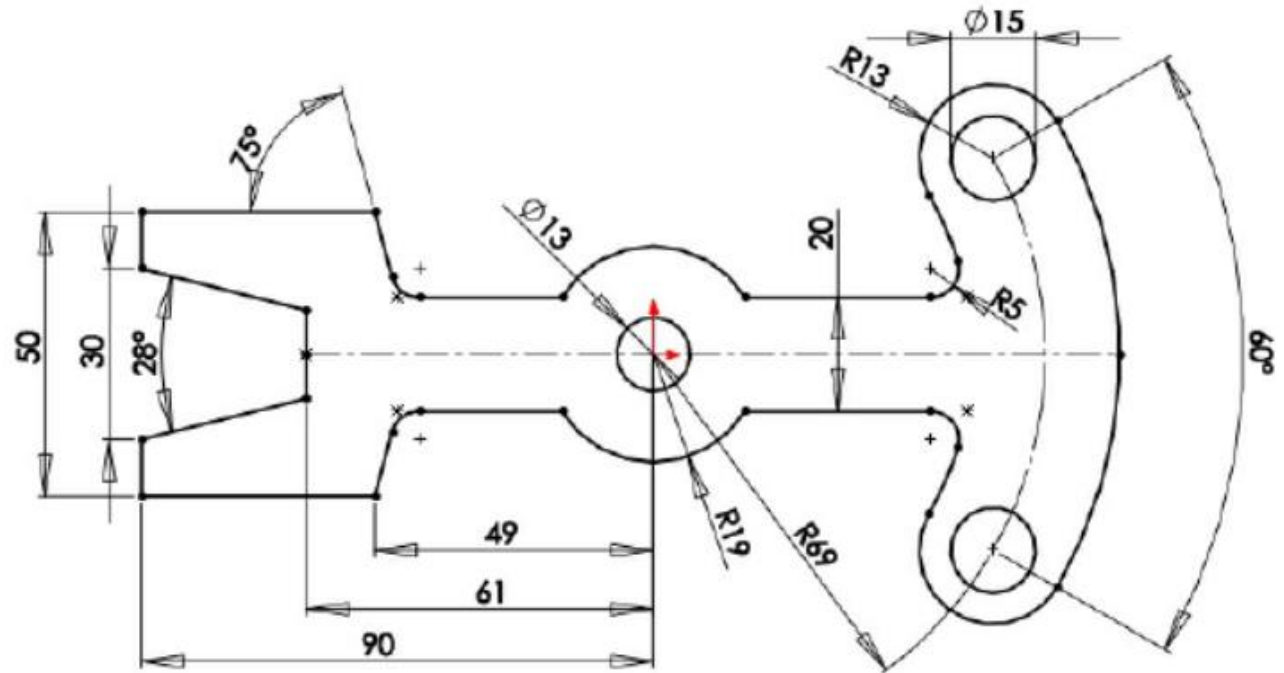
Depth=10mm

Draft Angle=35 degrees

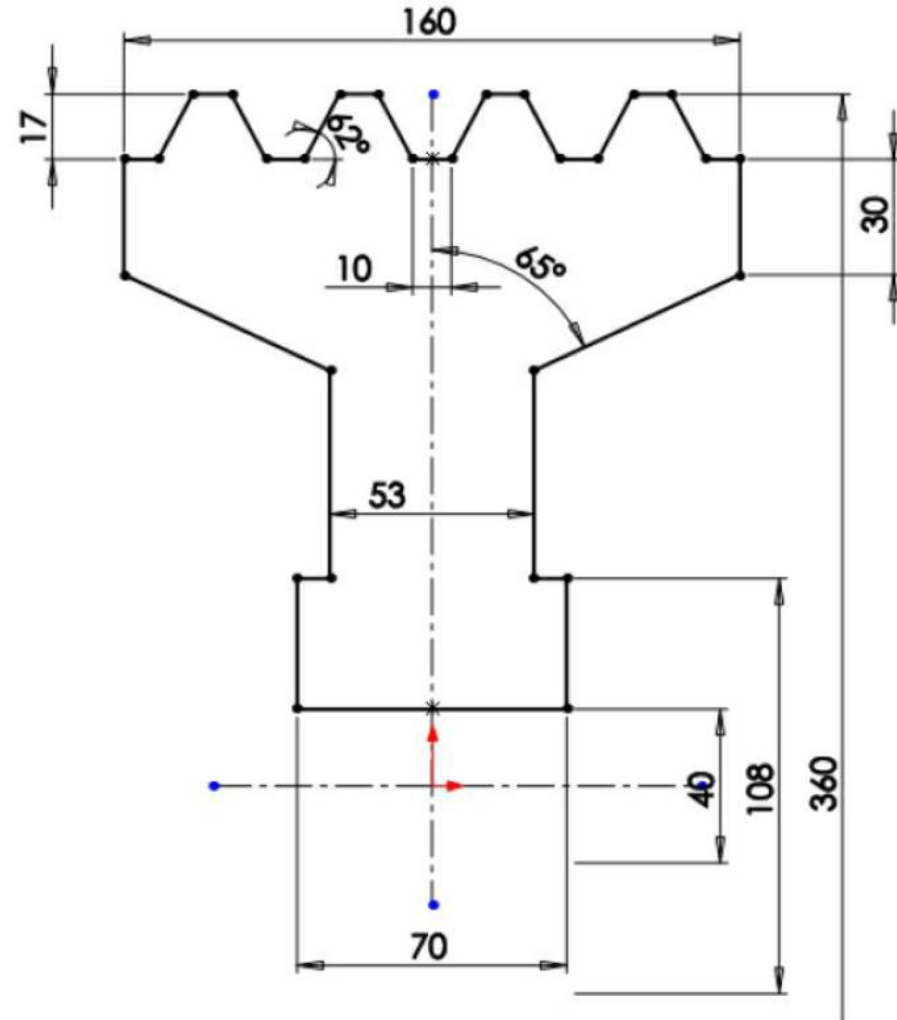
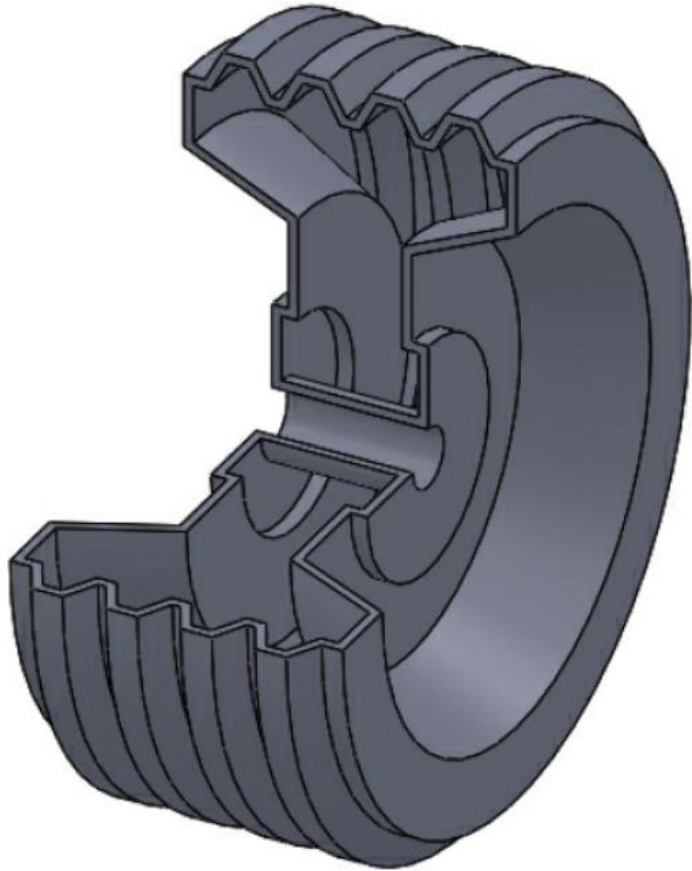
Direction 1:

Depth=15mm

Draft Angle=0 degrees



Tutorial 3 (Will be Graded)



Thin Feature

Angle of Rotation=270 degrees

Thin thickness=5mm

File Name: : Your Section_Your ID_ Ch5Tut3

Submission Rules

- Homework's are due **at the Monday 11.59 P.M.** of the following week (*More Discussion on next class*).
- Quiz's will be taken (*More Discussion on later classes*).
- Submit everything via **Blackboard**.
- Copying your assignments are **prohibited**. If you do so, you and the individual you copied from will receive a **grade zero**, plus both of you will be referred for actions as described in the university's policy for academic dishonesty. ([Read Section 203 of the Student Code of Conduct 2013-2013 UTSA Information Bulletin.](#))