

ME 1403 Engineering Practice & Graphics

Lecture 19

Chapter 14

Instructor:

Syed Hasib Akhter Faruqui

[Email: shafnehal@gmail.com](mailto:shafnehal@gmail.com)

Outline

- Home Works (Will be Graded)
 - Task 1
 - Task 2
 - Task 3

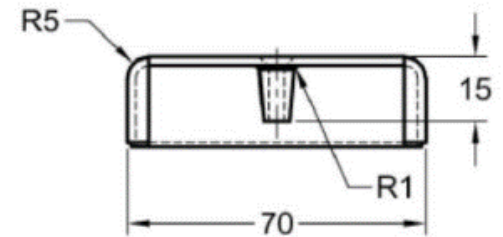
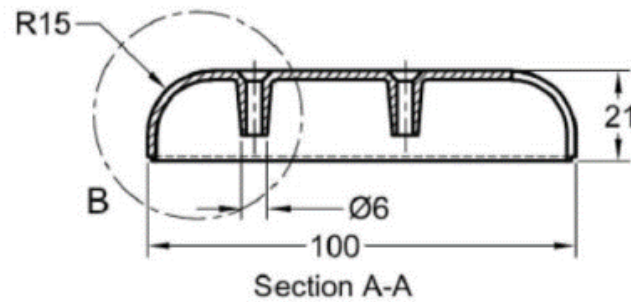
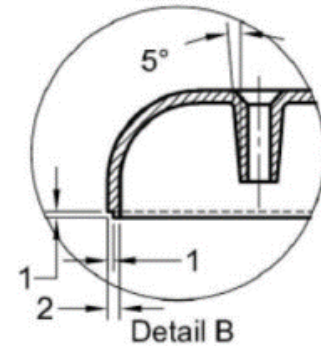
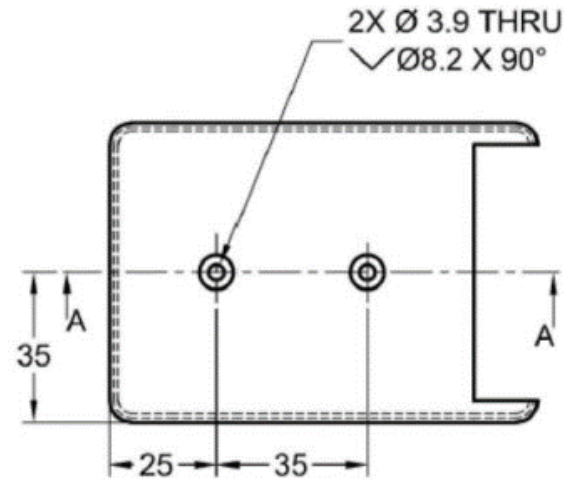
Reminder:

1. Save your file as PDF.
2. Edit Sheet Description Before submitting.

Task 1

(Will be Graded)

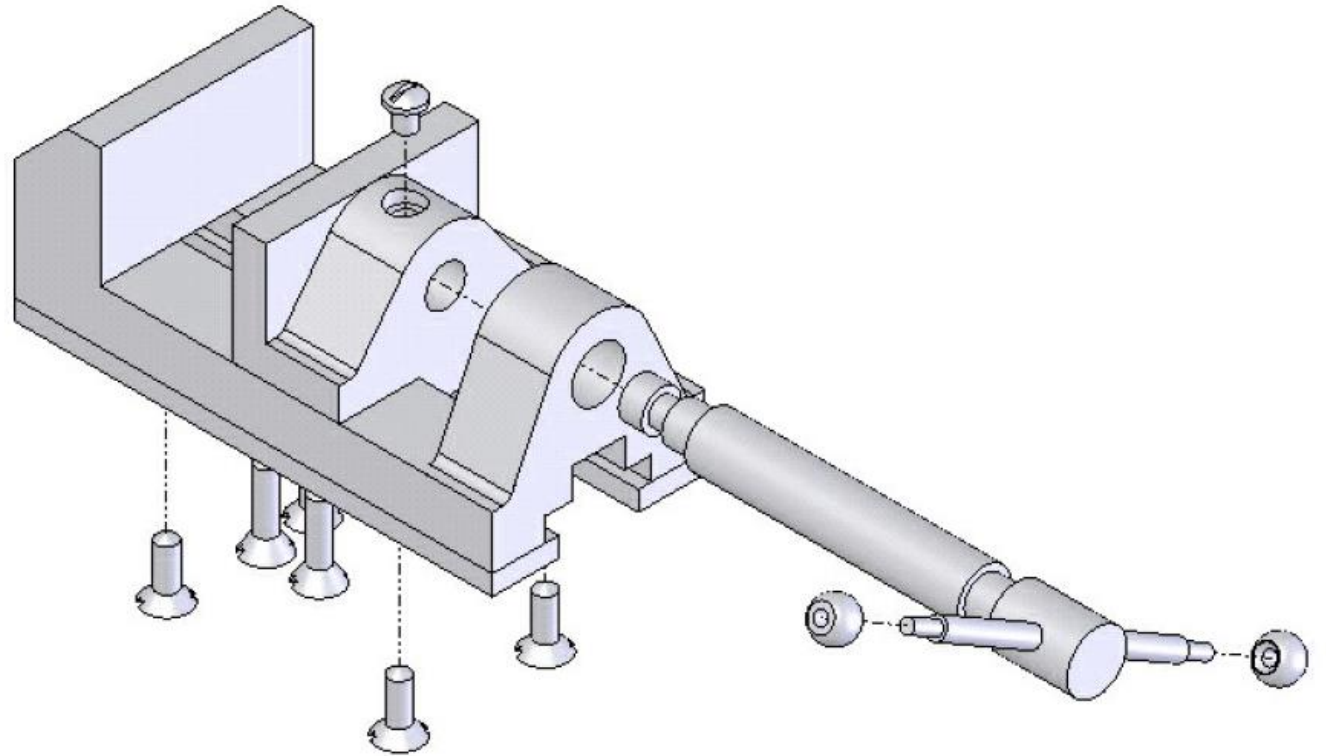
- 1) Open the Chapter 7 Tutorial 2 you have created in previous Homework
- 2) Create the Following
 - a) Front View
 - b) Right Side View
 - c) Top View
 - d) Section View
 - e) Detail View



Task 2

(Will be Graded)

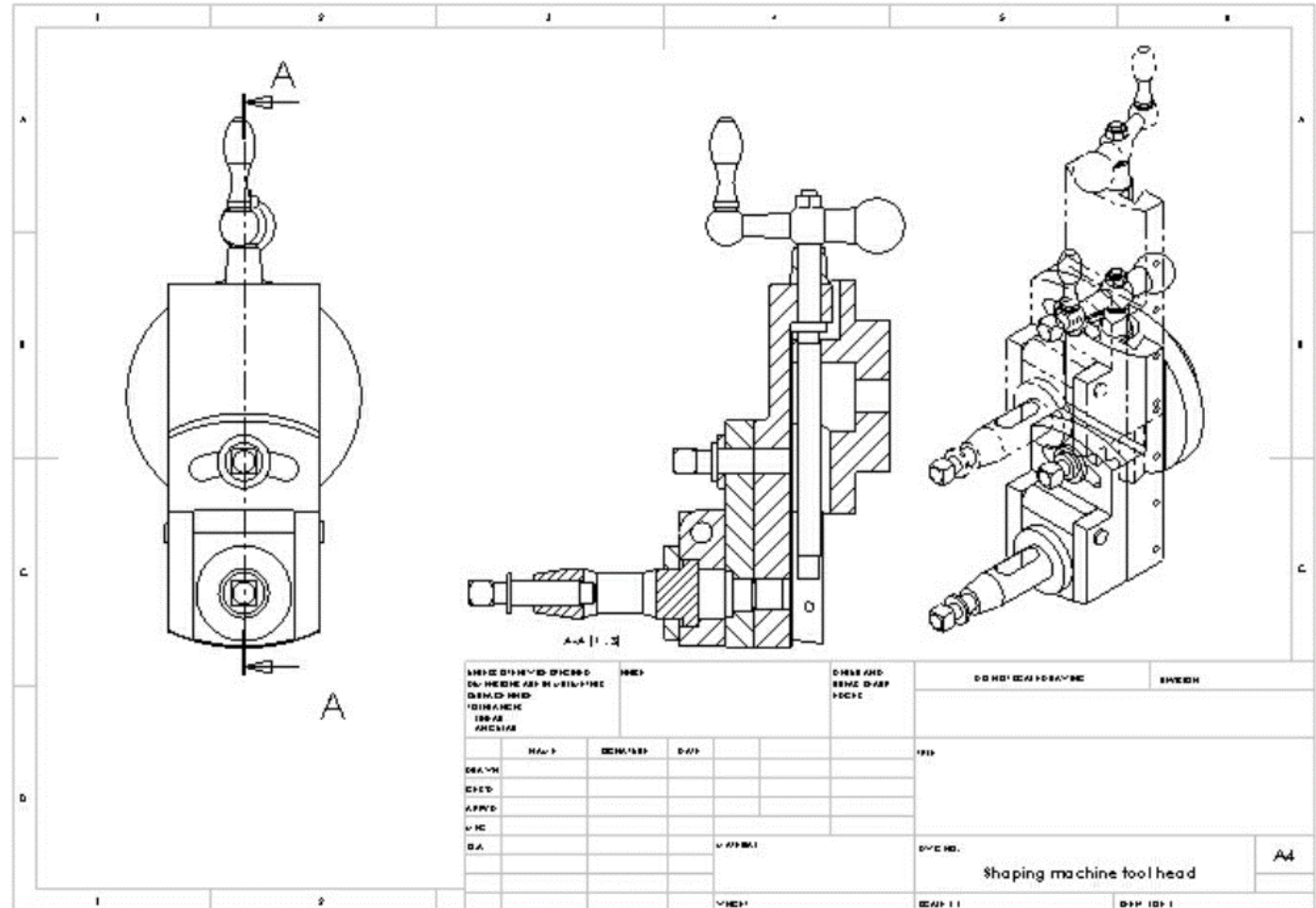
- Open the Vise bench you have created Separately
- Create Exploded Parts in Assembly
- Create the Drawing from Assembly
- Create the Following
 - a) Front View
 - b) Right Side View
 - c) Top View
 - d) Isometric View (Exploded!)
 - e) Section View



Task 3

(Will be Graded)

- Open the Exercise 1 of Chapter 13 you have created previously.
- Create the Drawing from Assembly
- Create the Following
 - a) Front View
 - b) Section View
 - d) Isometric View



Submission Rules

- Homework's are due **at the Sunday 11.59 P.M.** of the following week (*More Discussion on next class*).
- Submit everything via **Blackboard**.
- Copying your assignments are **prohibited**. If you do so, you and the individual you copied from will receive a **grade zero**, plus both of you will be referred for actions as described in the university's policy for academic dishonesty. ([Read Section 203 of the Student Code of Conduct 2013-2013 UTSA Information Bulletin.](#))