

ME 1403 Engineering Practice & Graphics

# Lecture 13

Chapter-8

Instructor:

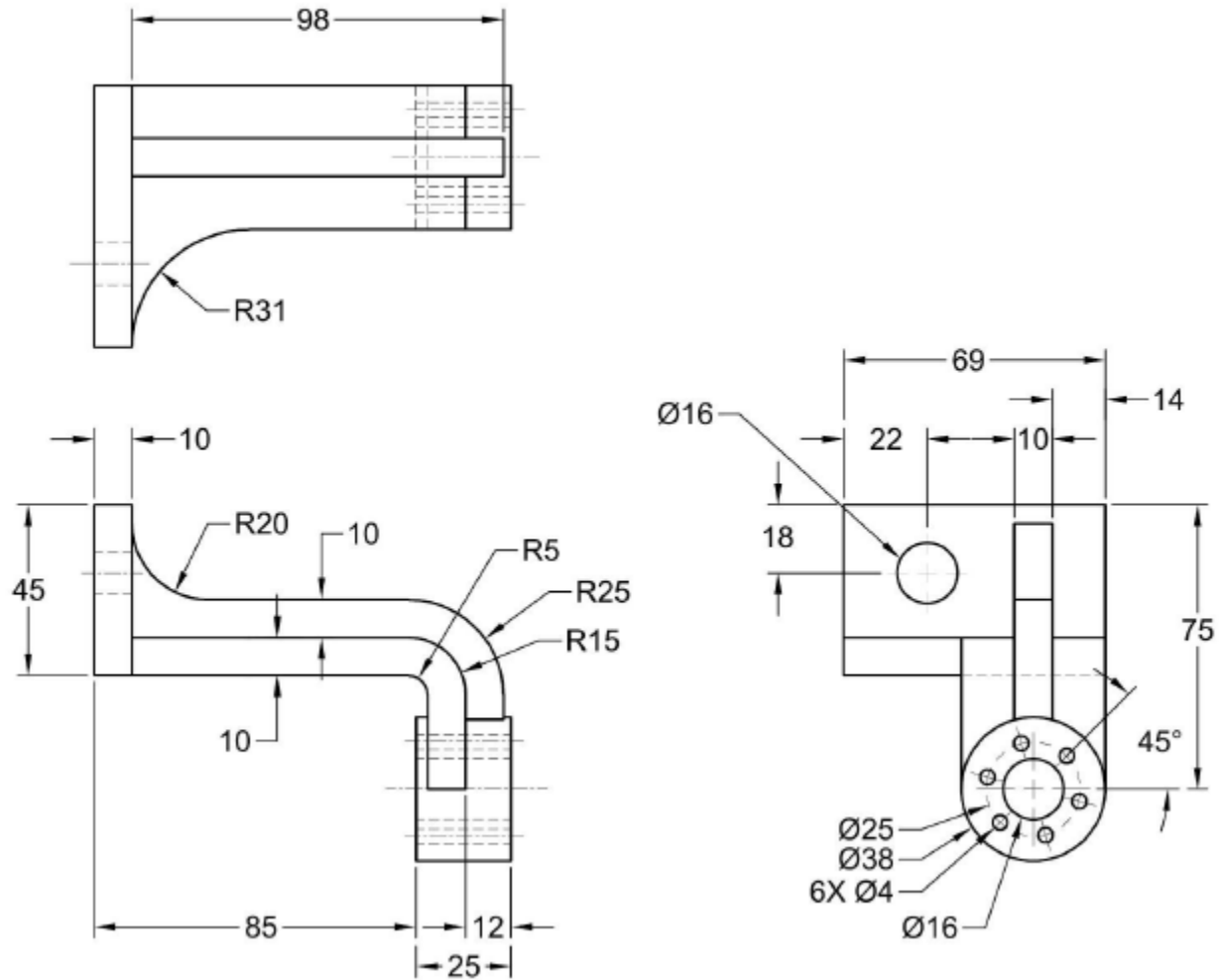
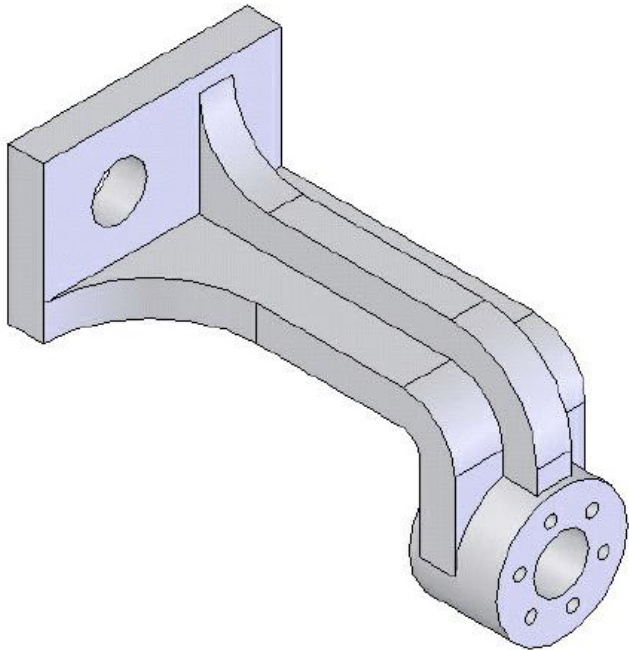
Syed Hasib Akhter Faruqui

[Email: shafnehal@gmail.com](mailto:shafnehal@gmail.com)

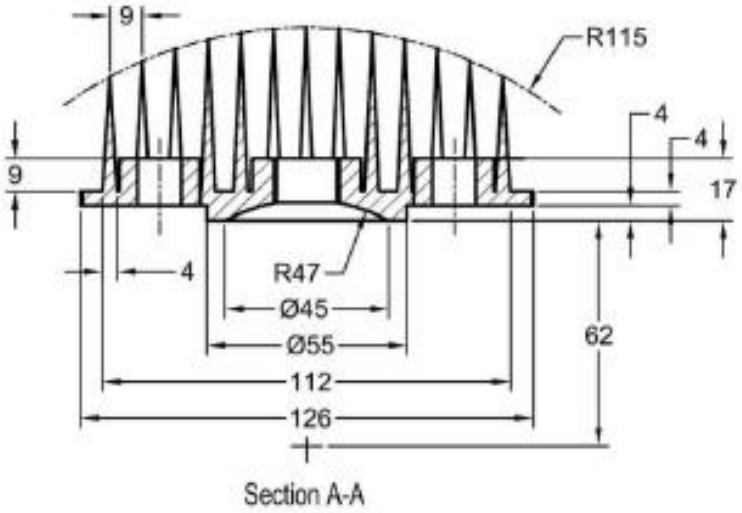
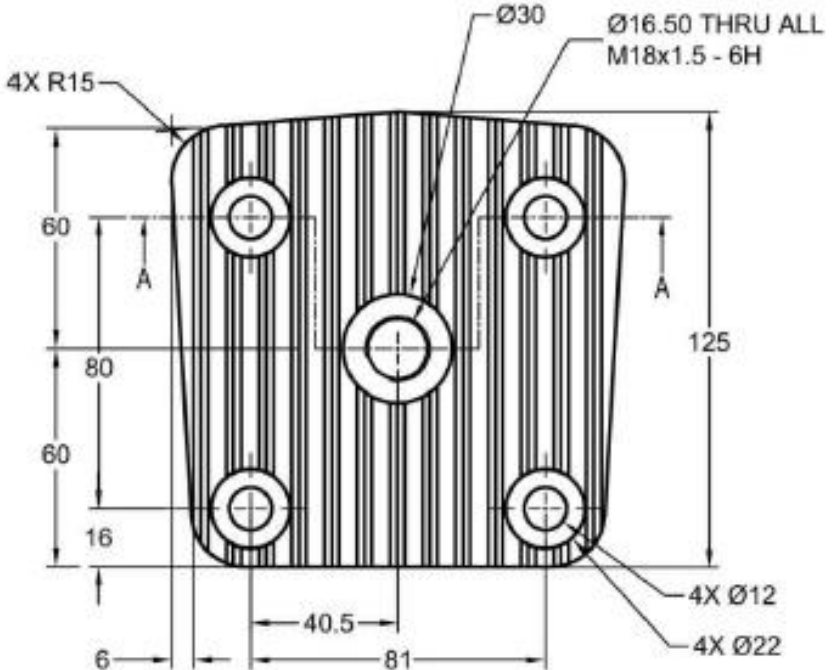
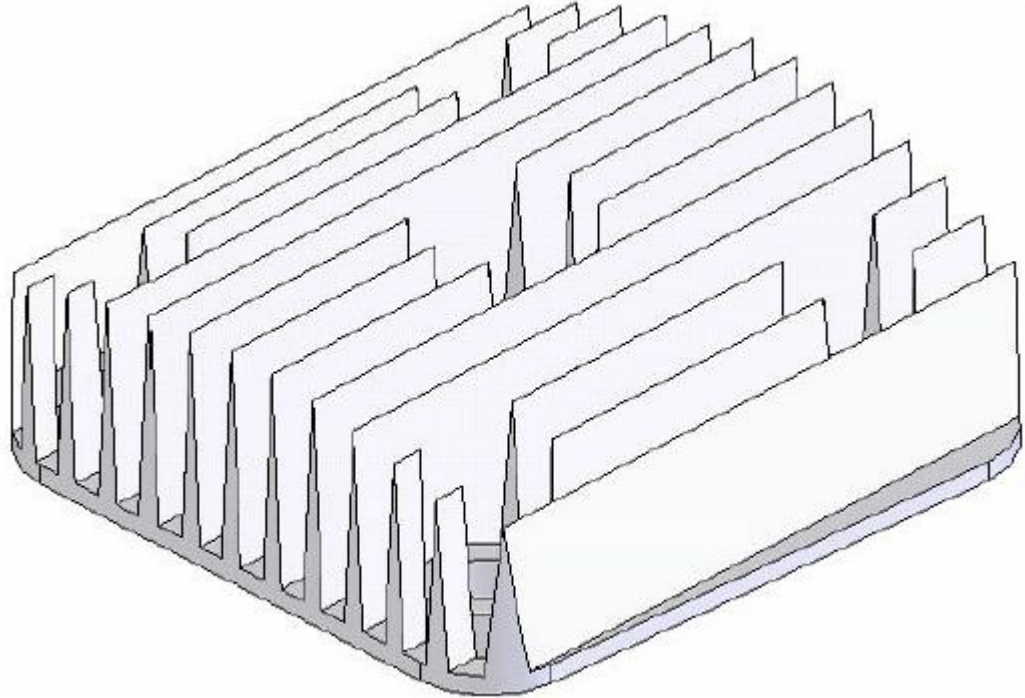
# Outline

- Tools / Methods
  - Vary sketch
- Practice
  - Tutorial 1 (Will be Graded)
  - Tutorial 3 (Will be Graded)
- Home Work
  - Exercise 3 (Will be Graded)

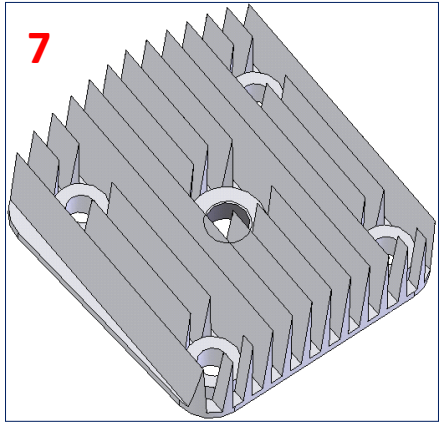
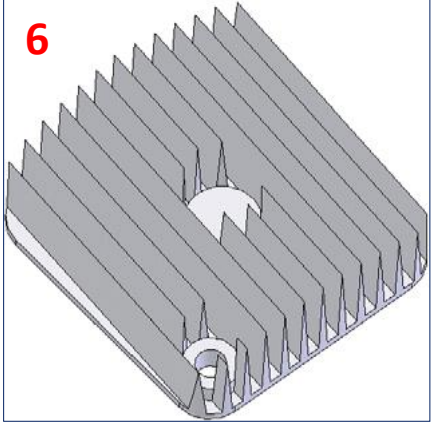
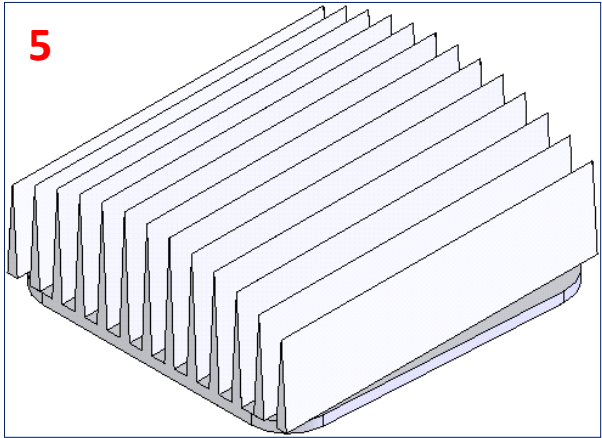
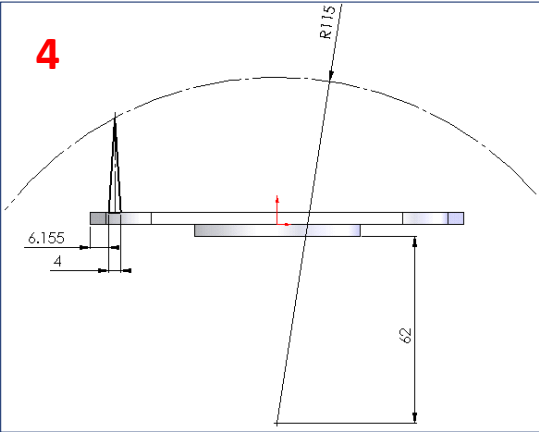
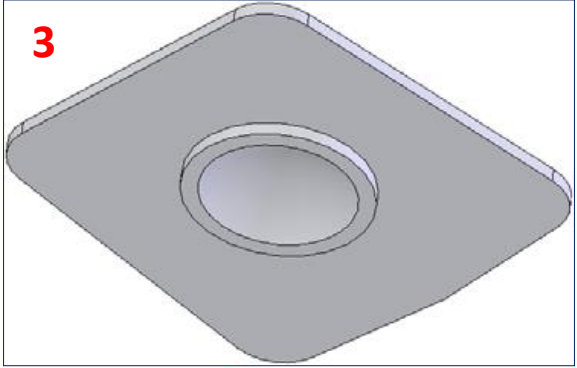
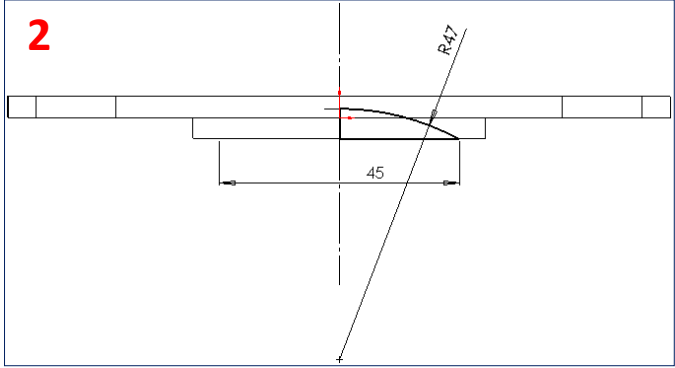
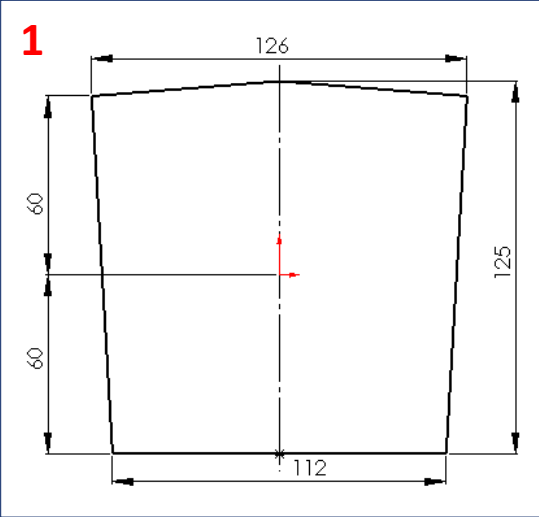
# Tutorial 1 (Will be Graded)



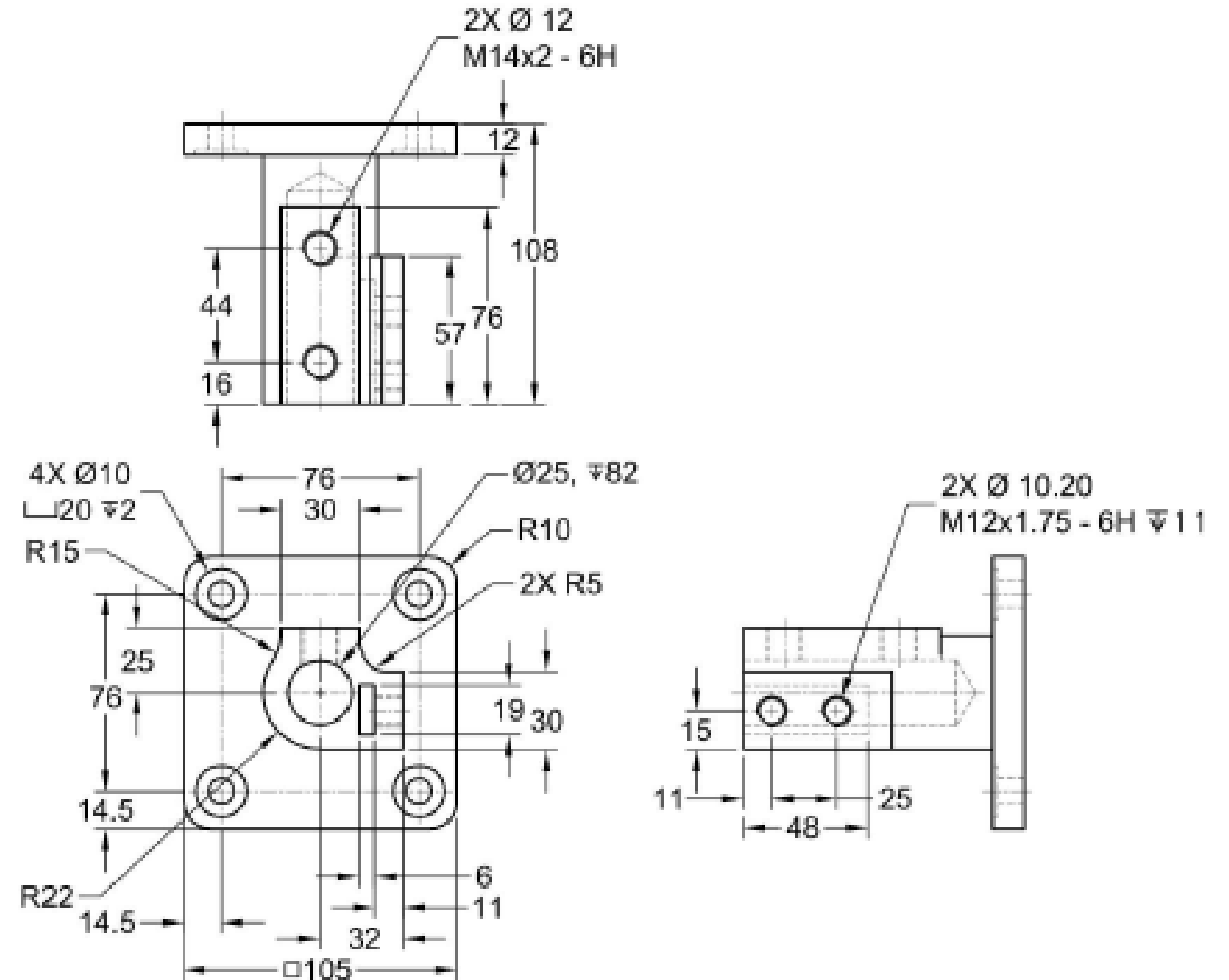
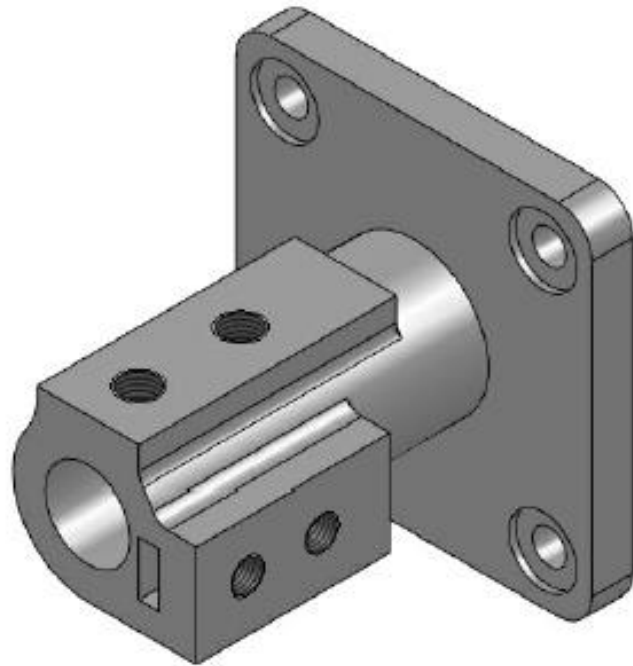
# Tutorial 3 (Will be Graded)



# Tutorial 3(Hint)



# Exercise 3 (Will be Graded)



# Submission Rules

- Homework's are due **at the Sunday 11.59 P.M.** of the following week (*More Discussion on next class*).
- Quiz's will be taken (*More Discussion on later classes*).
- Submit everything via **Blackboard**.
- Copying your assignments are **prohibited**. If you do so, you and the individual you copied from will receive a **grade zero**, plus both of you will be referred for actions as described in the university's policy for academic dishonesty. ([Read Section 203 of the Student Code of Conduct 2013-2013 UTSA Information Bulletin.](#))