

ME 1403 Engineering Practice & Graphics

Lecture 1

Instructor:

Syed Hasib Akhter Faruqui

[Email: shafnehal@gmail.com](mailto:shafnehal@gmail.com)

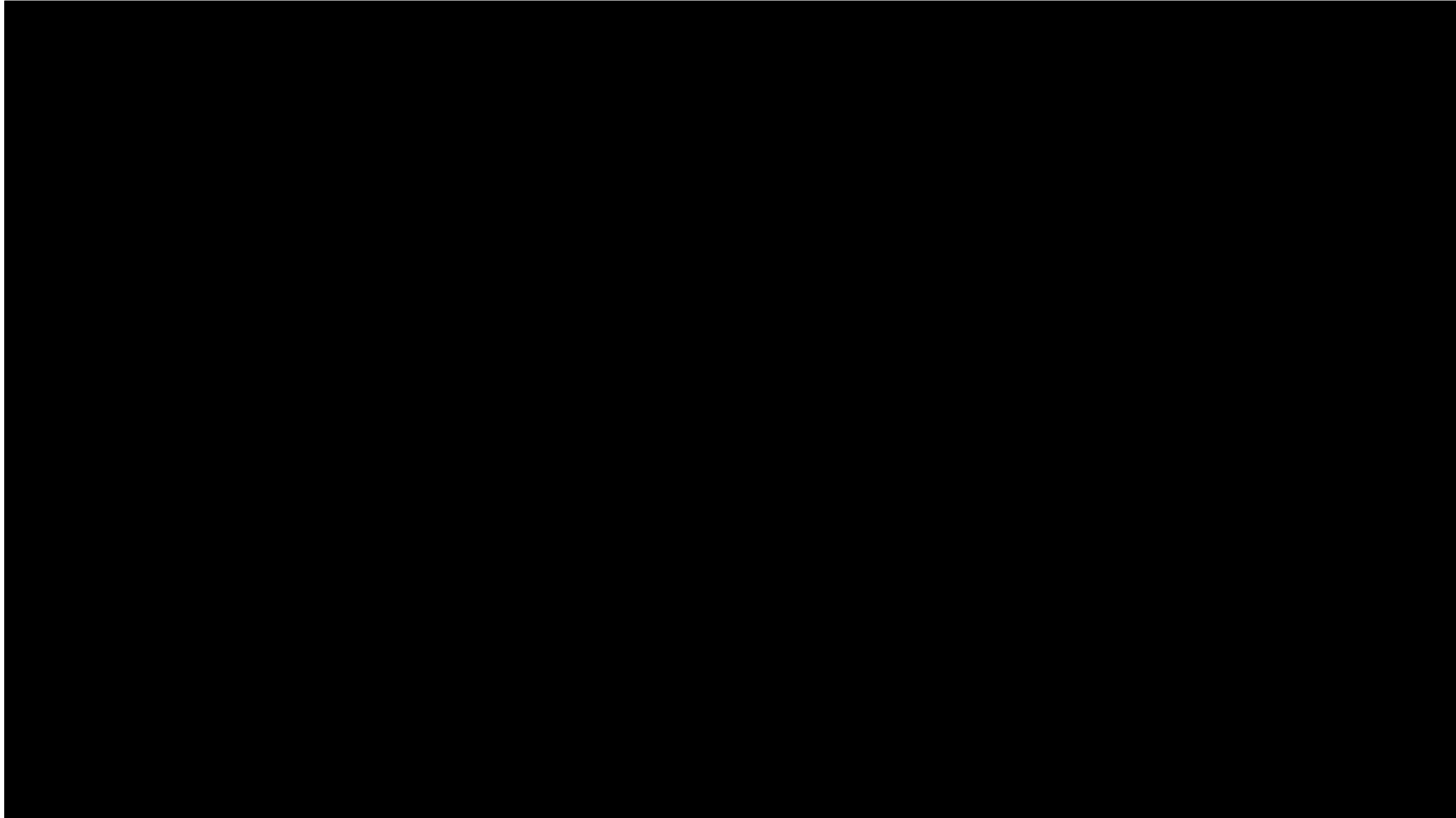
Outline

- Engineering CAD Software's
- What is Solidworks?
- Text Book
- Rules and Regulations

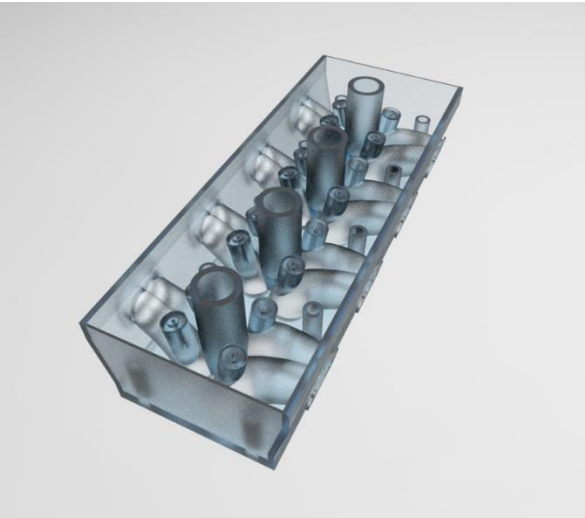
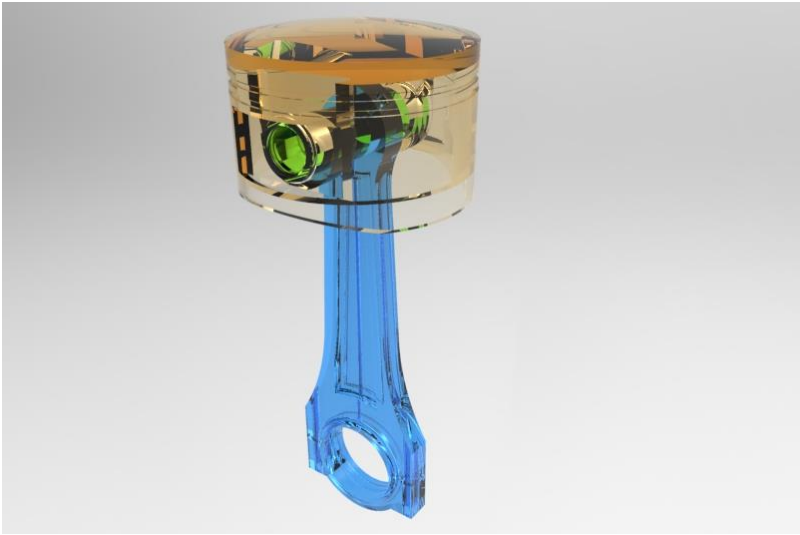
Engineering CAD Software's

- Top End Market
 - a. CATIA by Dassault Systems
 - b. NX by Siemens PLM
- Mid level Market
 - a. **SolidWork** by Dassault Systems
 - b. SolidEdge by Siemens PLM
 - c. **Inventor** by Autodesk
 - d. PTC Creo (Pro-E) by PTC
 - e. Rhino
 - d. IronCAD
- Entry Level Market
 - a. **AutoCAD**
 - b. Google Sketchup Pro
 - c. DraftSight
 - d. SpaceClaim
 - e. Alibre
 - f. FreeCAD

What is Solidworks?



Samples



Recommended Textbook

S. Tickoo, ***SolidWorks 2016 for Designers***, 14th ed., 2016, CAD/CIM Technologies, ISBN: 978-1-942689-18-8.

or

S. Tickoo, ***SolidWorks 2017 for Designers***, 15th ed., 2017, CAD/CIM Technologies, ISBN: 978-1-942689-75-1.

Lectures will be available at the following link

http://www.shafnehal.com/ME1403/fall_2018/lecture_notes

Submission Rules

- Homework's are due **at the Sunday 11.59 P.M.** of the following week (*More Discussion on next class*).
- Quiz's will be taken (*More Discussion on later classes!*).
- Submit everything via **Blackboard**.
- Copying your assignments are **prohibited**. If you do so, you and the individual you copied from will receive a **grade zero**, plus both of you will be referred for actions as described in the university's policy for academic dishonesty. ([Read Section 203 of the Student Code of Conduct 2013-2013 UTSA Information Bulletin.](#))

Submission Rules

- Any submission after deadline **will not be accepted** and thus will receive a **grade of zero**.
- Grading Criteria for Late Submission:
 - Submission on Time : 100%
 - Submission a week late : 75%
 - Submission two week late : 0%

Submission Rules

- Naming Convention for your submission files:
 - *(section)_(your myUTSA id)_(Number/Name of the HomeWork)*
- For Example if your in section, “**L1**”, your myUTSA id is, “**abc123**” and You are submitting, “**HW1**”. Then your submission file name should be, “**L1_abc123_HW1**”

Emailing Regarding Problems

- Email either
 - through **Blackboard**
 - or at shafnehal@gmail.com
- Email between: *8:00 A.M. to 5:00 P.M.*
- Subject line should follow the below mentioned convention:
 - [ME 1403: Engineering Practice & Graphics Fall - 2018]_(Your myUTSA ID)_(Summery of your Issue)*
- For Example if your myUTSA id is “**abc123**” and You are emailing regarding problem in “**HW1**”. Then your email subject line should be:
 - “[ME 1403: Engineering Practice & Graphics Fall - 2018]_abc123_HW1 problem”*
- Any email that doesn't follow the above convention will not be responded.

Most Important Rule of the Class

“Ask Questions!”

Solidworks

- You can get access to Solidworks via-
 - Lab Computers
 - myUTSA apps
 - Follow this [pdf file](#).



Practice

- We will do some practices on Next Lecture!