

ME 1403 Engineering Practice & Graphics

Fall - 2017

Lecture 8

Chapter-6

Instructor:

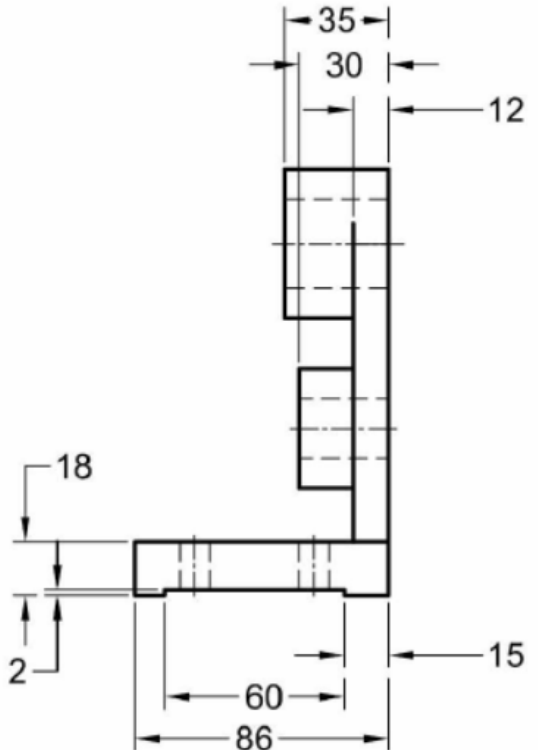
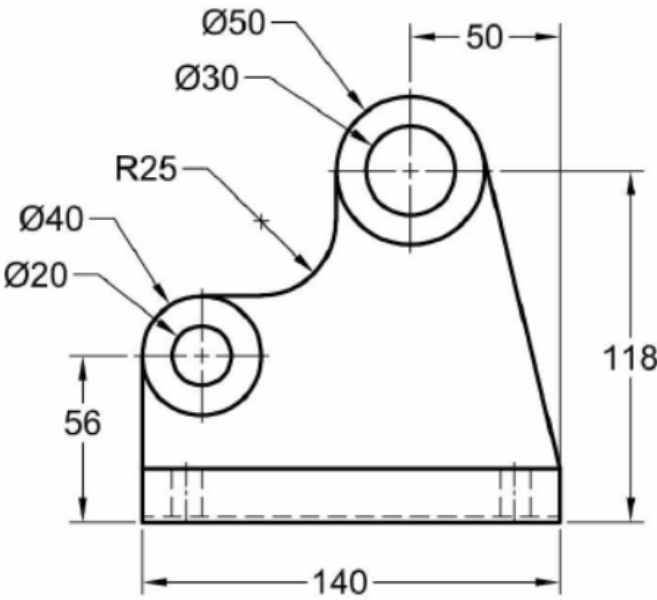
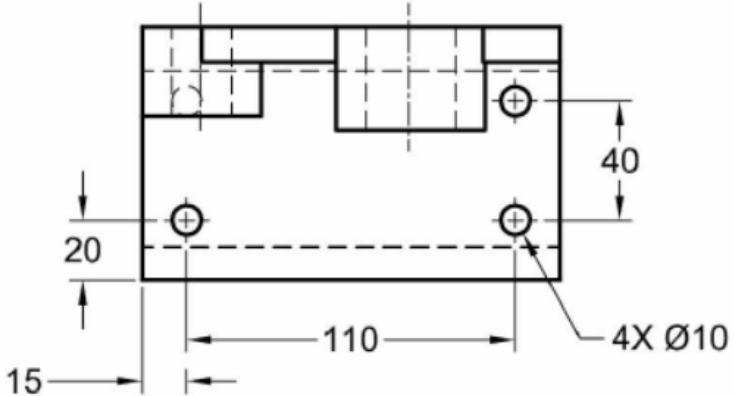
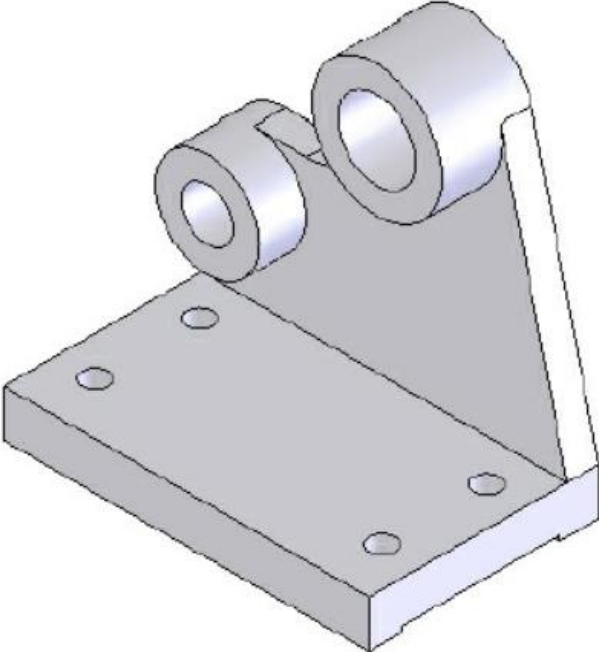
Syed Hasib Akhter Faruqui

[Email: shafnehal@gmail.com](mailto:shafnehal@gmail.com)

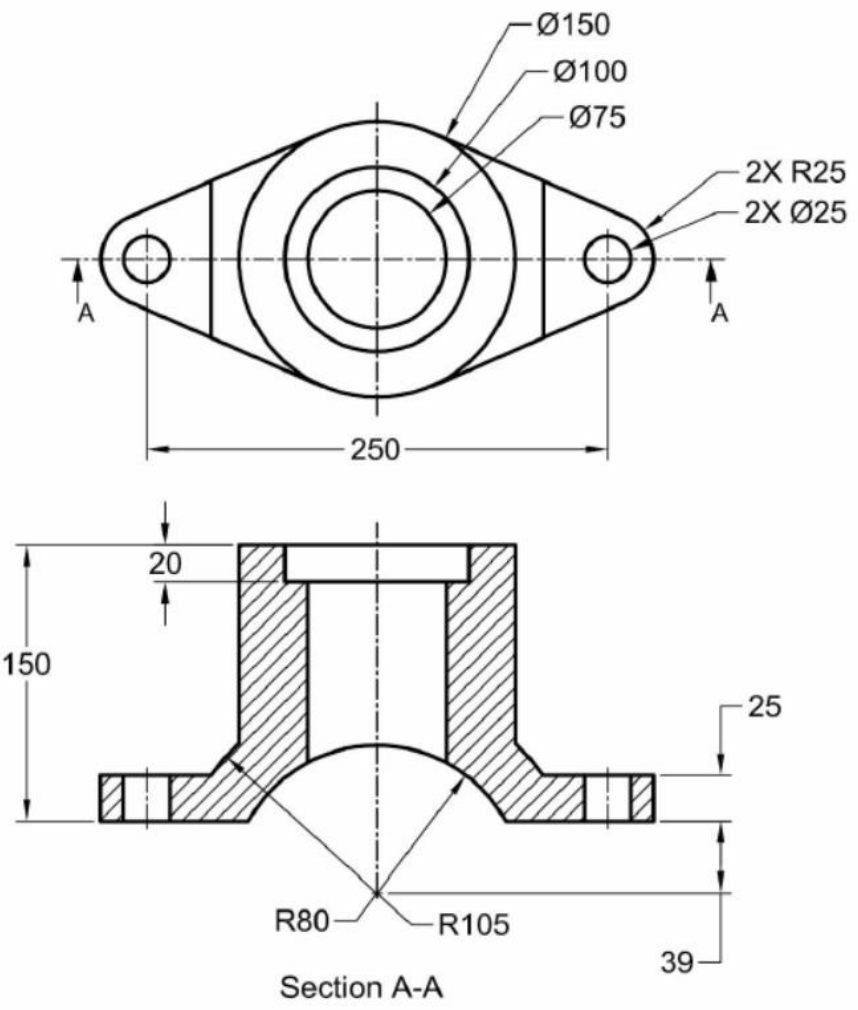
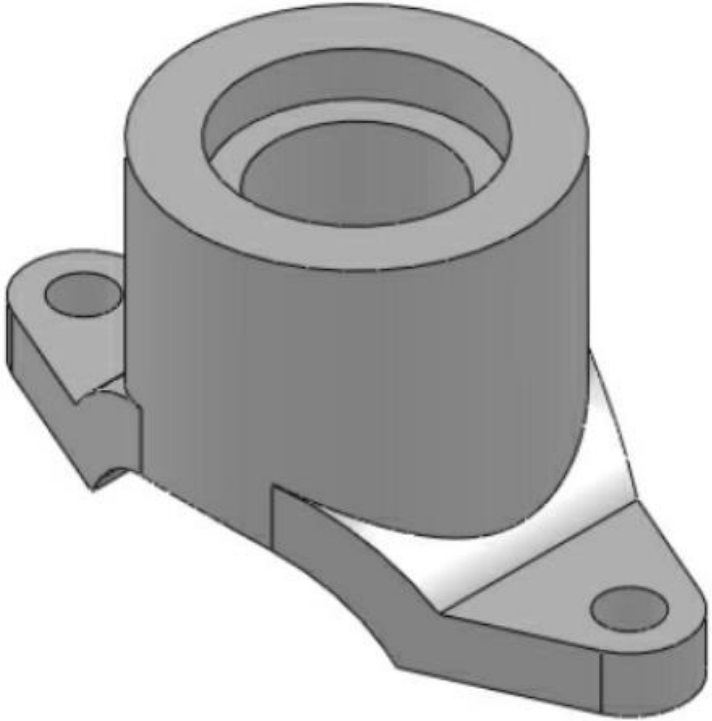
Outline

- Tools / Methods
 - Reference Geometry
 - Reference Plane
 - Reference Axis
 - Reference Point
 - Extrude Cut
 - Revolve Cut
- Practice
 - Tutorial 2
 - Tutorial 3

Tutorial 2 (Will be Graded)



Tutorial 3 (Will be Graded)



Submission Rules

- Homework's are due **at the beginning of the first lab** of the following week.
- Quiz's will be taken.
- Submit everything via **Blackboard**.
- Copying your assignments are **prohibited**. If you do so, you and the individual you copied from will receive a **grade zero**, plus both of you will be referred for actions as described in the university's policy for academic dishonesty. ([Read Section 203 of the Student Code of Conduct 2013-2013 UTSA Information Bulletin.](#)).

Submission Rules

- Any submission after deadline **will not be accepted** and thus will receive a **grade of zero**.
- Grading Criteria for Late Submission:
 - Submission on Time : 100%
 - Submission a week late : 75%
 - Submission two week late : 0%
- Naming Convention for your submission files:
 - *(your myUTSA id)_(Number/Name of the HomeWork)*
- For Example if your myUTSA id is “**abc123**” and You are submitting “**HW1**”. Then your submission file name should be “**abc123_HW1**”.