

ME 1403 Engineering Practice & Graphics

Fall - 2017

# Lecture 18

Chapter-13

Instructor:

Syed Hasib Akhter Faruqui

[Email: shafnehal@gmail.com](mailto:shafnehal@gmail.com)

# Announcement!

## Quiz 4 (15<sup>th</sup> November, 2017)

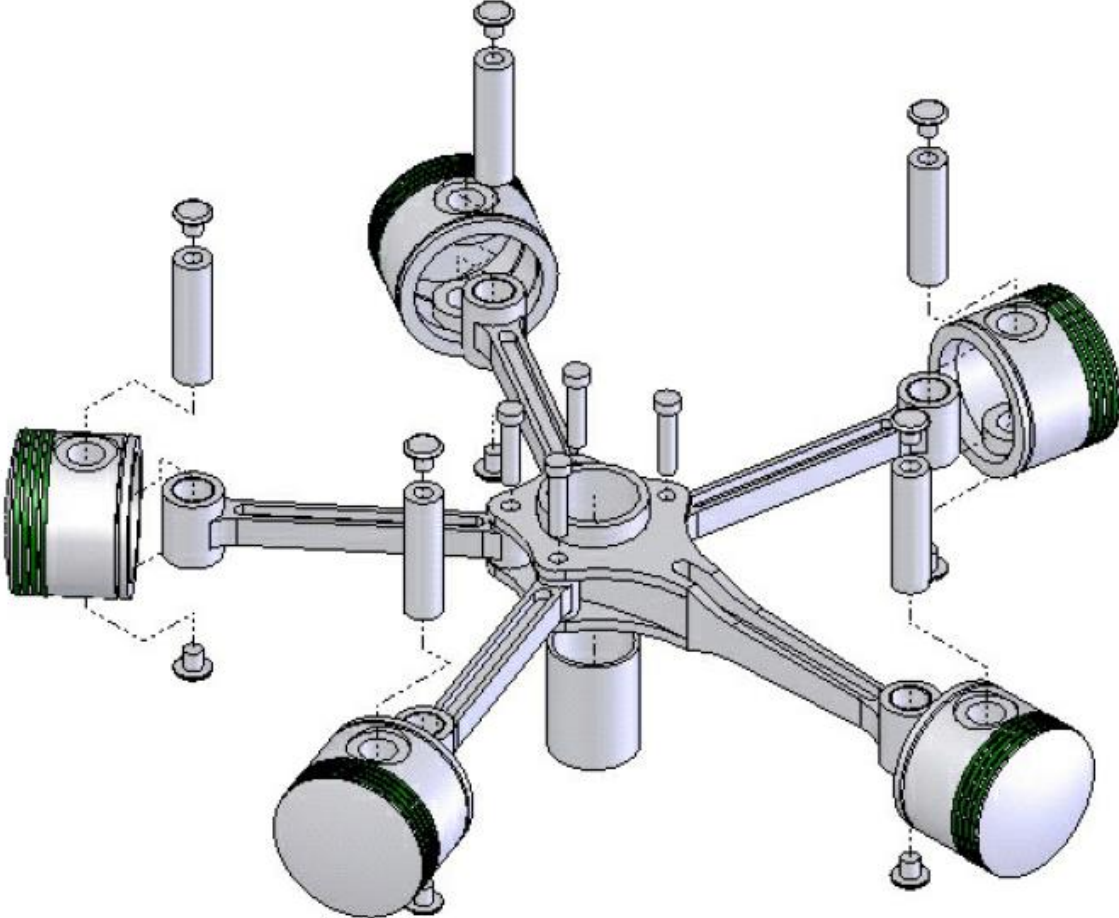
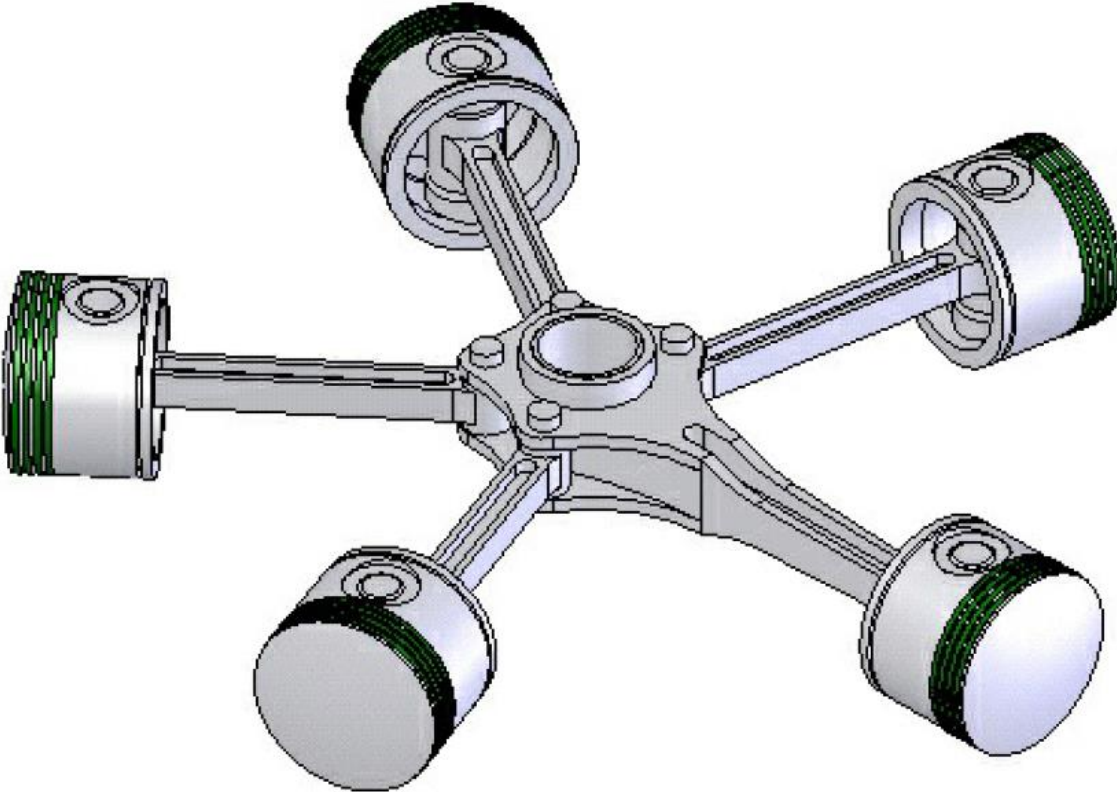
- Topics:
  - Chapter 12
- Time
  - 20 minutes

# Outline

- Advance Assembly (Check the zip file uploaded on website)
  - Symmetric Mate
  - Distance & Angle Mate
  - Hinge Mate
  - Mirroring (Same as Part Design) but addition Copy with Mates
- Evaluate
  - Interference Detection
  - Clearance
  - Hole Alignment
  - Mass Property
- Today's Task (Will be Graded)
  - Tutorial 1
  - Tutorial 2

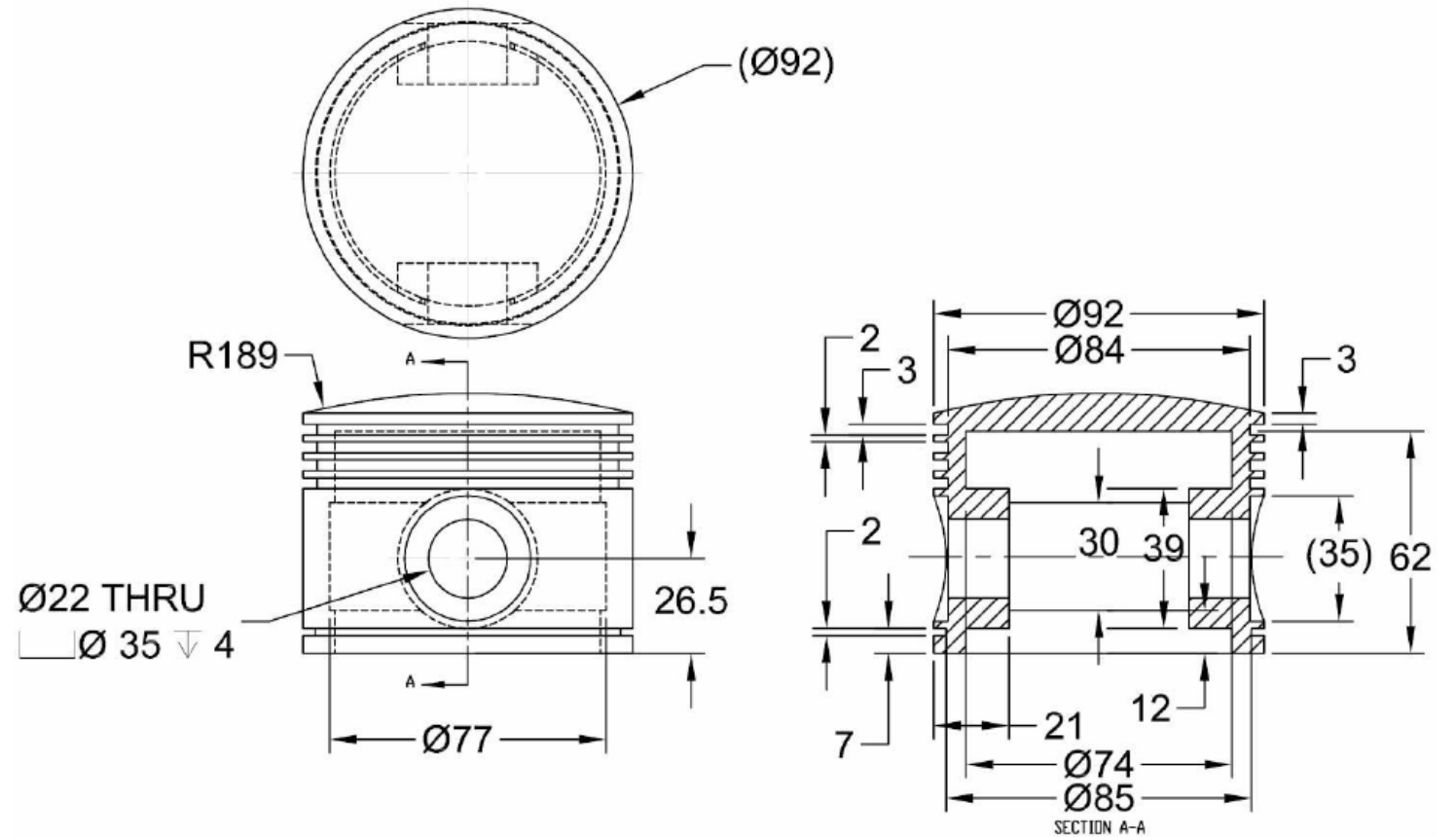
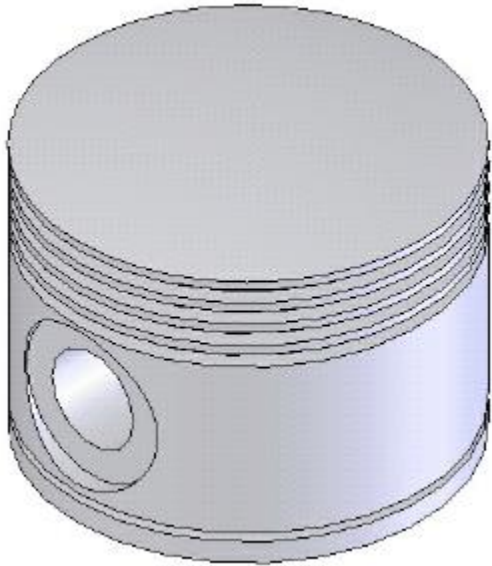
# Tutorial 1

(Will be Graded)



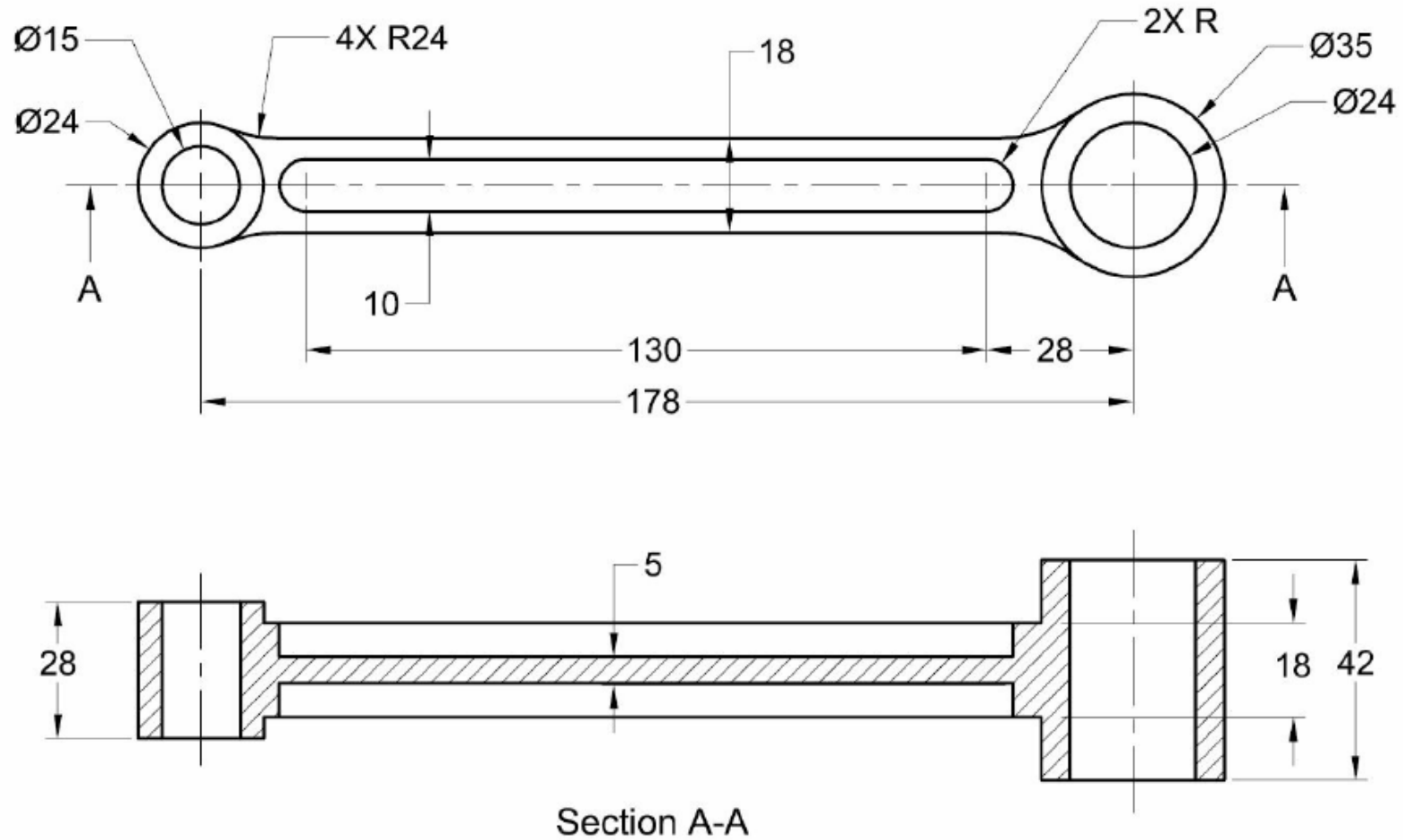
# Tutorial-1

(Will be Graded)



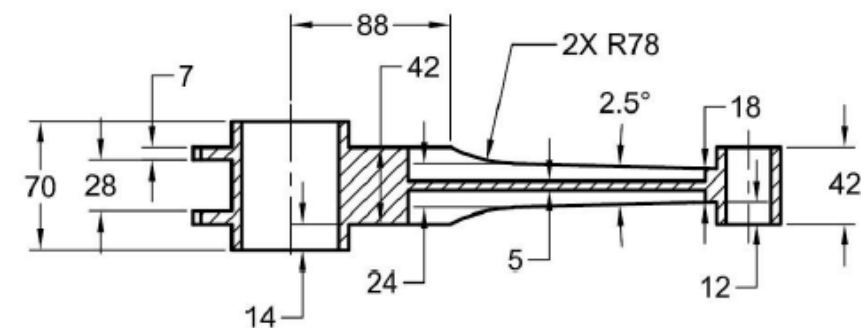
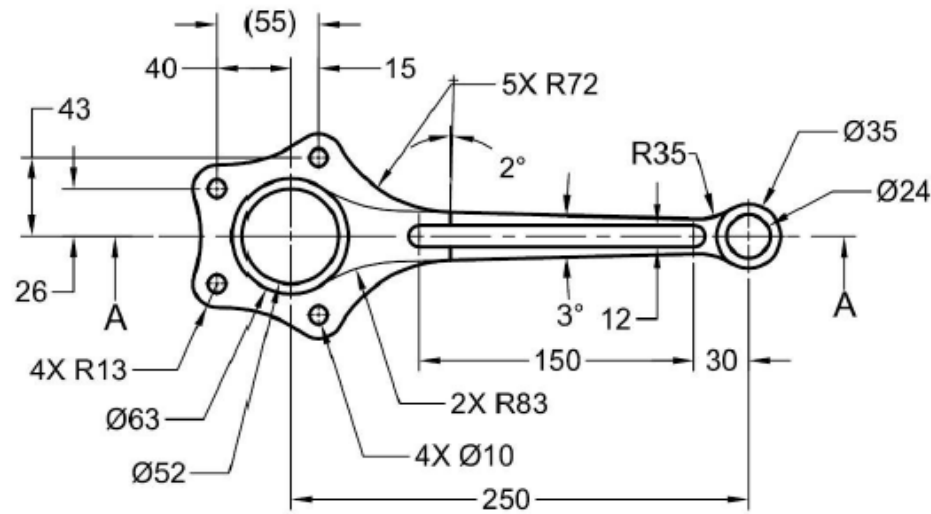
# Tutorial-1

(Will be Graded)

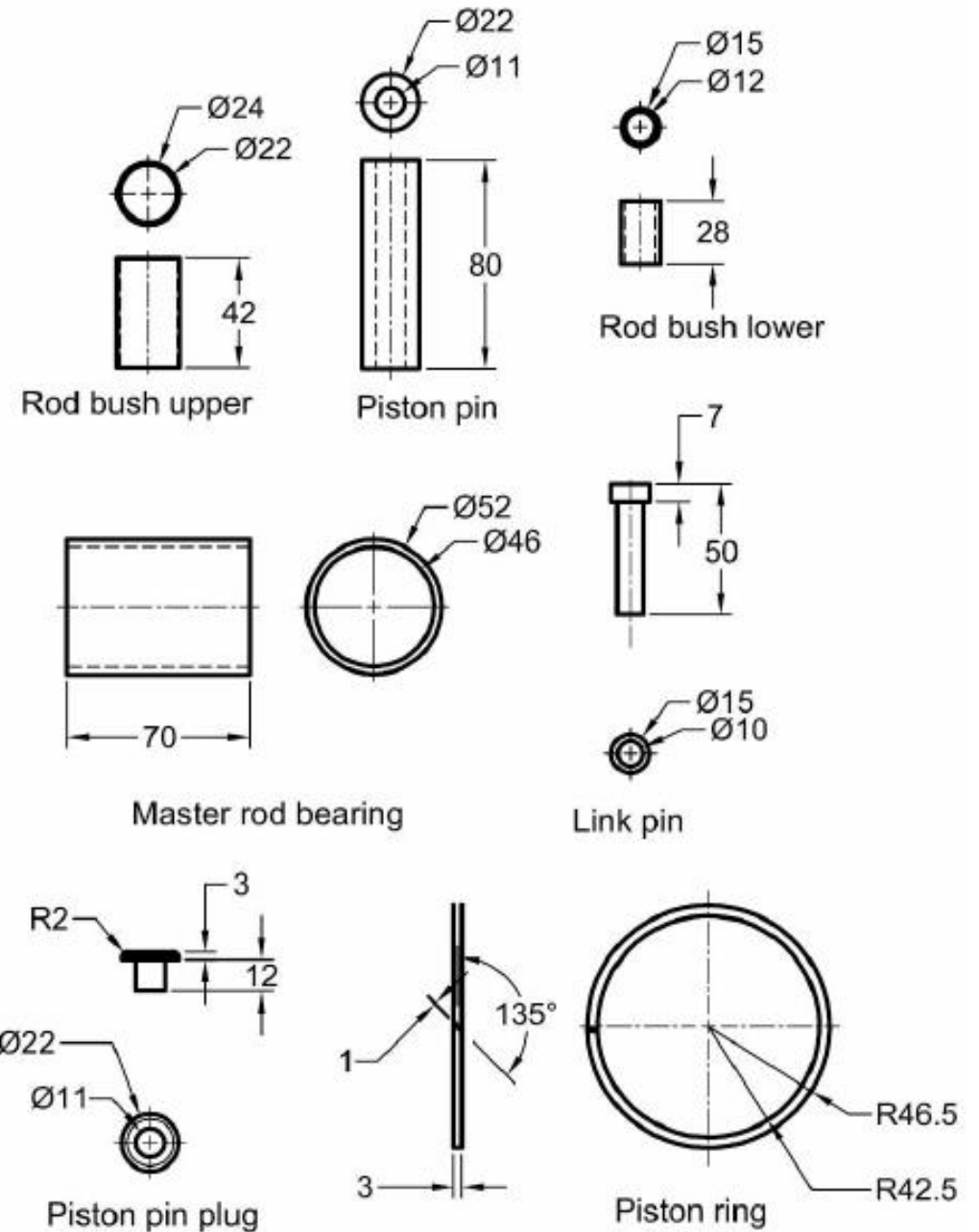


# Tutorial-1

## (Will be Graded)

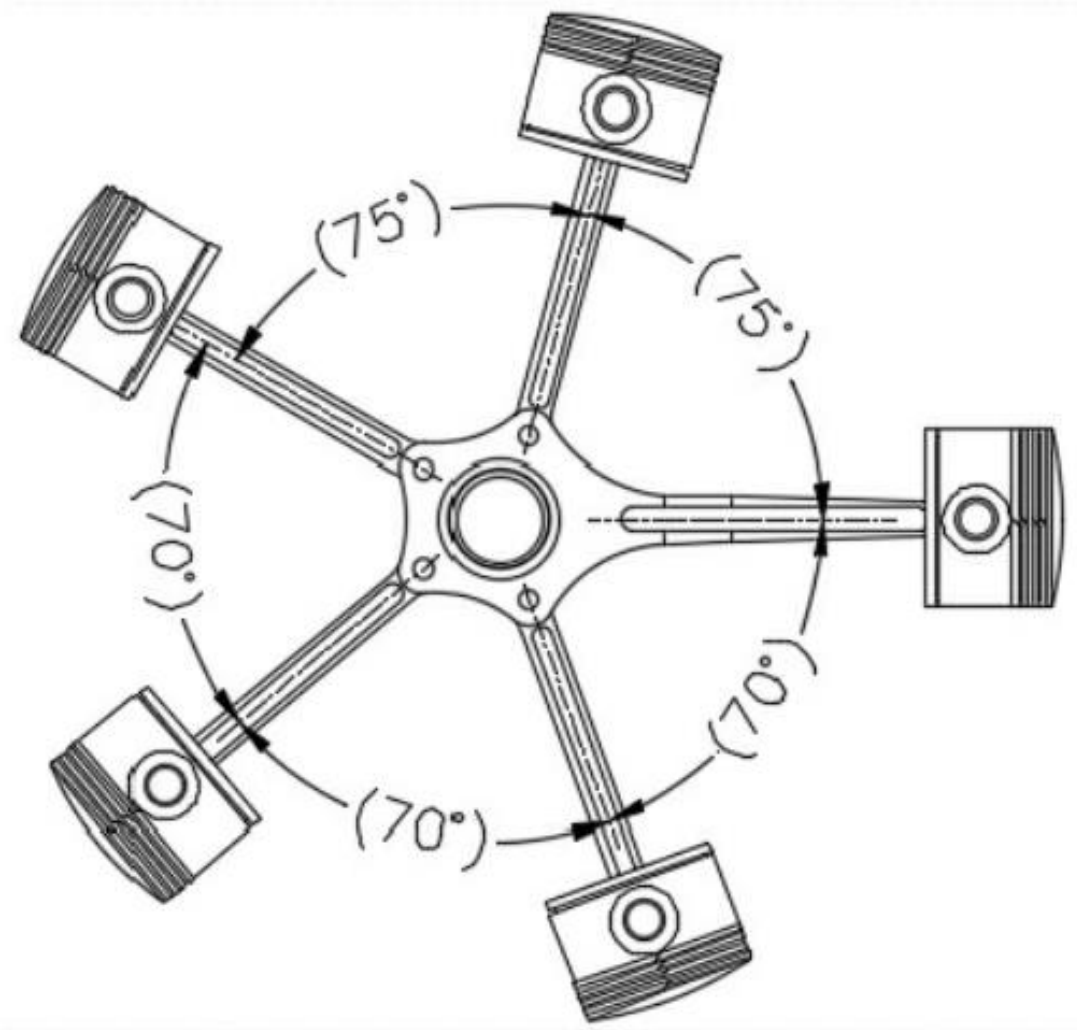


SECTION A-A



# Tutorial-1

(Will be Graded)





## Tutorial-2

(You Don't need to submit this one.  
Bonus Grades will be given to all for this one.)

# Submission Rules

- Homework's are due **at the beginning of the first lab** of the following week.
- Quiz's will be taken.
- Submit everything via **Blackboard**.
- Copying your assignments are **prohibited**. If you do so, you and the individual you copied from will receive a **grade zero**, plus both of you will be referred for actions as described in the university's policy for academic dishonesty. ([Read Section 203 of the Student Code of Conduct 2013-2013 UTSA Information Bulletin](#)).

# Submission Rules

- Any submission after deadline **will not be accepted** and thus will receive a **grade of zero**.
- Grading Criteria for Late Submission:
  - Submission on Time : 100%
  - Submission a week late : 75%
  - Submission two week late : 0%
- Naming Convention for your submission files:
  - *(your myUTSA id)\_(Number/Name of the HomeWork)*
- For Example if your myUTSA id is “**abc123**” and You are submitting “**HW1**”. Then your submission file name should be “**abc123\_HW1**”.